



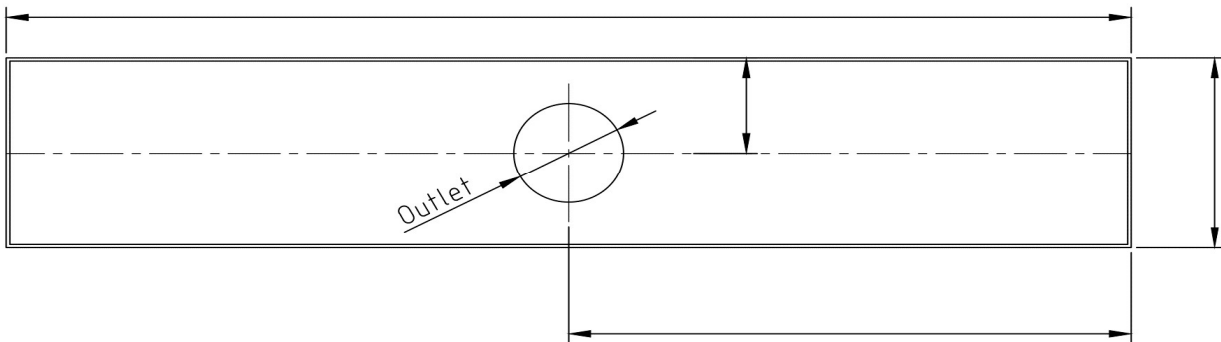
CUSTOMISED DRAINS

Address:	9 Darlot Road, Landsdale, 6065
Email:	Kurtis@customiseddrains.com.au
Website:	www.customiseddrains.com.au
ABN:	74 945 945 601

DRAIN FORM

JOB NUMBER:							
ADDRESS:							
DEPTH:	<input type="checkbox"/>	Standard: 22mm	OUTLET:	<input type="checkbox"/>	38	<input type="checkbox"/>	63
	<input type="checkbox"/>	Custom:		<input type="checkbox"/>	50	<input type="checkbox"/>	76
WIDTH:	<input type="checkbox"/>	*64mm O/A	STYLE:	<input type="checkbox"/>	Heel Grate		
	<input type="checkbox"/>	96mm O/A		<input type="checkbox"/>	Tile Insert		
	<input type="checkbox"/>	*127mm O/A		<input type="checkbox"/>	Slotted		
	<input type="checkbox"/>	Custom:		<input type="checkbox"/>	Square		
FINISH:	<input type="checkbox"/>	316 Stainless Steel	EXTRAS:	<input type="checkbox"/>	96x96mm Waste		
	<input type="checkbox"/>	Black		<input type="checkbox"/>	Express Powdercoat		

*64 & 127mm Width is only available in Heel Grate or Tile Insert.



PICK UP	<input type="checkbox"/>
---------	--------------------------

DELIVERY	<input type="checkbox"/>
----------	--------------------------

Custom Depth, Width and Delivery will incur additional charges.

Any Questions please ring us on (08) 9302 1215.