



SP003 Solar Water Pump Kit Instructions
By All Solar Central

www.allsolarcentral.com

Thank you from the entire ASC family for purchasing an ASC solar product! Please read this entire booklet before assembly.

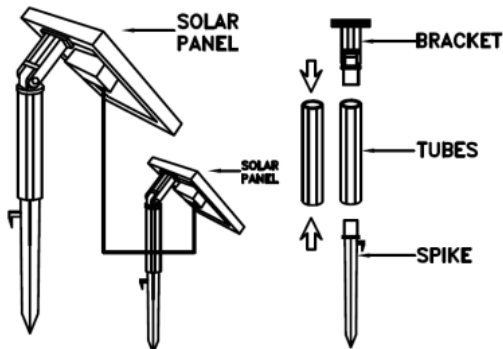
Package contents:

- 1 x Water Pump with 16 ft. Cable
- 1 x Solar Panel
- 1 x Solar Panel with Bracket
- 2 x Extension Tube
- 1 x Ground Spike
- 1 x Floating Foam
- 1 x Set of Fountain Nozzles

Notes: If there is any damage to the product or missing parts, please contact us at 1-626-582-8898 or www.allsolarcentral.com/contactus

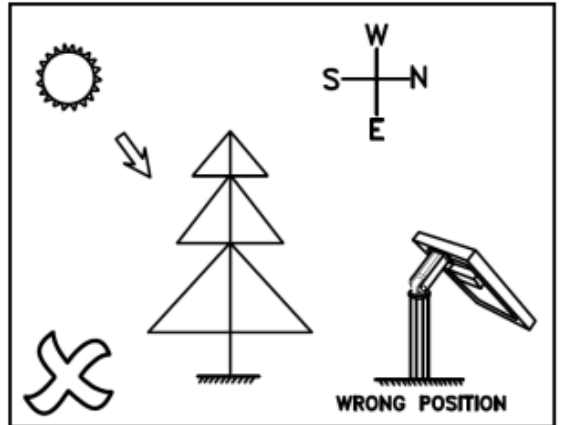
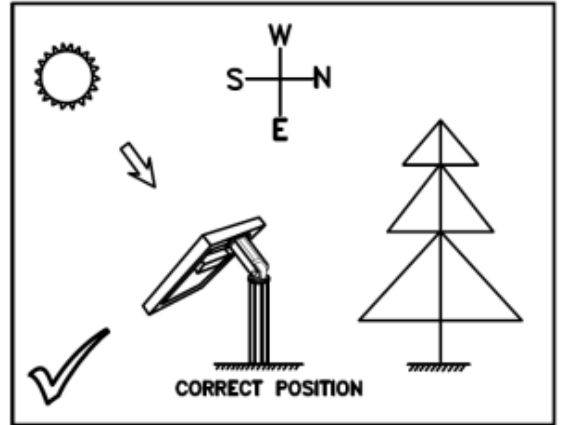
Assembly Steps:

1. Connect the bracket, tubes and spike together. Then attach the solar panel to the bracket. Slide the holding bracket into the inside lip of the top half of the solar panel frame. The bracket holds the weight of the solar panel. The solar panel can be adjusted for optimal sunlight by using the wingnut. Please see the diagram.



2. Insert the spike into the ground. Position the solar panel so it's facing south (in northern hemisphere) as much as possible to maximize daylight hours. It is important to angle the solar panel to face the sun when the sun is at its

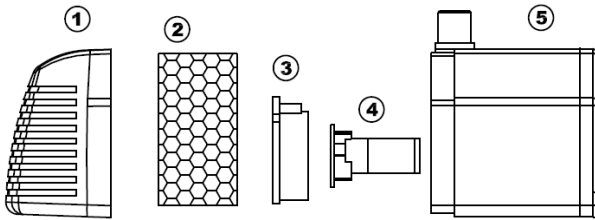
highest point. Ensure the solar panel is not shaded by trees, shrubs or buildings.



3. Connect the Pump to the back side of the Solar Panel. **IMPORTANT!!** Slightly twist the connectors when connecting to make sure the rubber seals are fully in the grooves.
4. **SOLAR PUMP FUNCTIONS**
This pump runs from direct sunlight. The pumps performance is directly related to the amount and strength of sunlight received by the solar panel. This solar pump is designed primarily to operate in summer months but can also work in spring and autumn if there is direct sunlight. Notes: This model **DOES NOT** come with a battery, so the pump will only work when the solar panel is in sunlight.

5. **PUMP MAINTENANCE**

If you find the pump starts losing power or stops working, please clean the pump filter and impeller with clean water.



① FRONT CASE ② FILTER ③ IMPELLER COVE
④ IMPELLER ⑤ PUMP

Please visit www.allsolarcentral.com for more products and offers.



6. **TROUBLE SHOOTING**

- Check to see if the solar panel, pump and led light are connected properly
- Check to see if the solar panel is correctly positioned facing the sun. Please ensure the solar panel is not in the shade or obstructed by trees, shrubs or a building (see step 2).
- Check water level and make sure the pump is fully submerged in water
- Check to see if the pump filter/impeller is blocked by debris
- Check to see if the fountain tubing is blocked by kinks or obstructions
- Check the pump. It may be “air locked”. Turn the pump on/off switch several times to clear any air that may have been trapped.

7. **TECHNICAL DATA**

- Max. Pump Water Flow: 180LPH
- Max. Pump Water Lift: 50CM / 20IN
- Working Voltage: DC6V – DC8V
- Pump Working Power: 0.65W – 1.15W
- Protection Grade of Pump: IP68
- Solar Panel: 2.5W; 8V; 0.312A
- Solar Panel Size: 190x150x18MM
- Protection Grade of Panel: IP44

8. **WINTER PROTECTION**

Indoor storage is recommended during winter months. Normal operating temperature is between 50 and 113 °F.