



SF012 Solar Mermaid Fountain Instructions

By All Solar Central

www.allsolarcentral.com

Thank you from the entire ASC family for purchasing an ASC solar product! Please read this entire booklet before assembly.

Package contents:

Fountain:

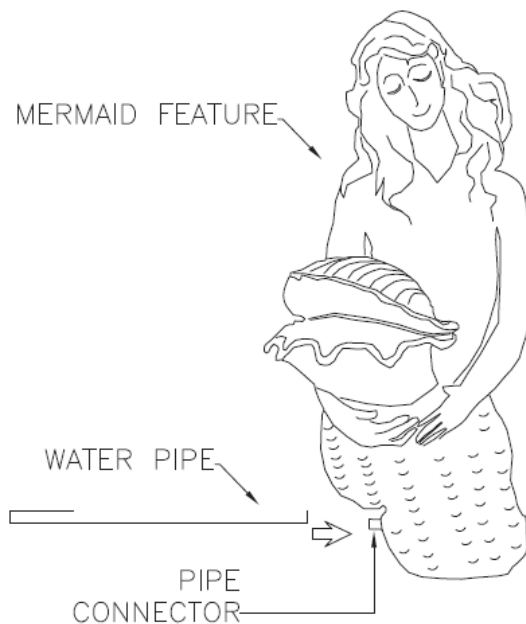
- 1 x Mermaid Feature
- 1 x 31in Water Pipe

Solar Water Pump Kit:

- 1 x Water Pump
- 1 x Solar Panel
- 1 x Set of Fountain Nozzles
- 1 x Solar Panel Bracket
- 2 x Extension Tube
- 1 x Ground Spike

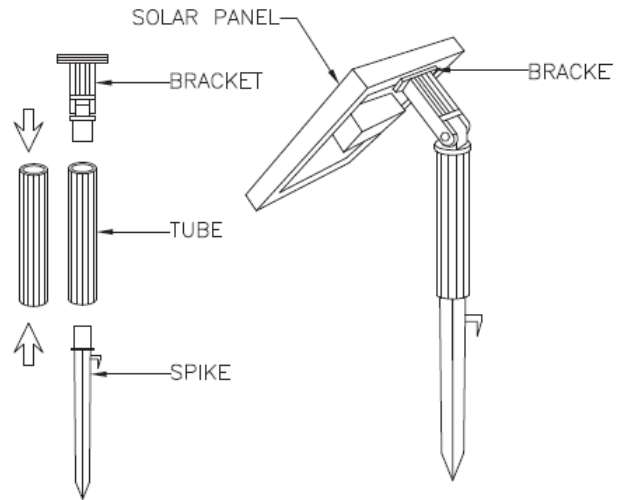
Notes: If there is any damage to the fountain or missing parts, please contact us at 1-626-582-8898 or www.allsolarcentral.com/contactus

FOUNTAIN ASSEMBLY:

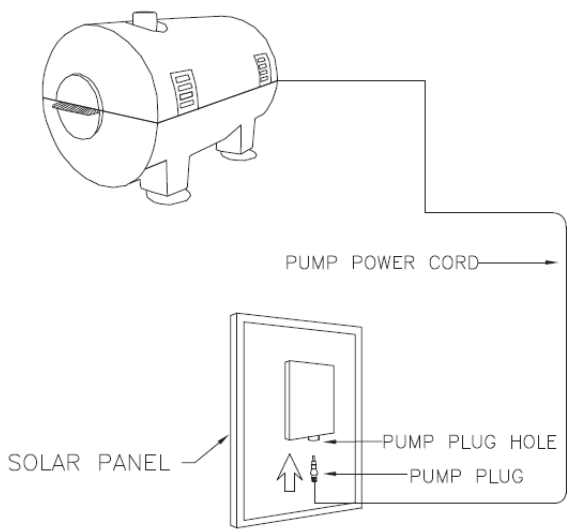
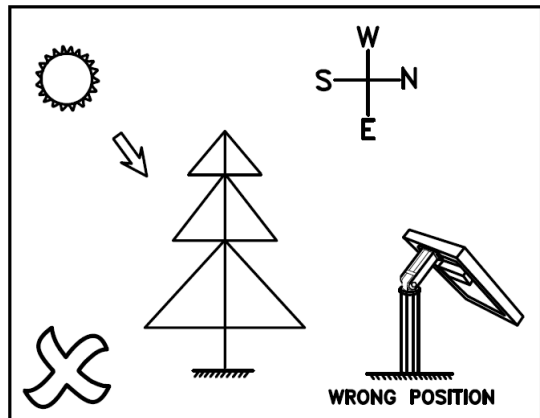
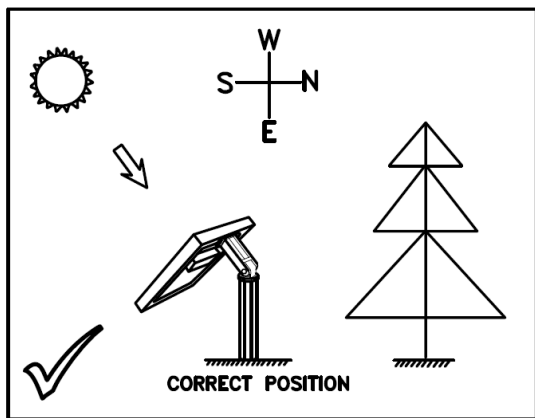


1. Attach one end of the water pipe to the pipe connector at the bottom of the Mermaid Feature. Then, attach another end of the water pipe to the pump.

2. Connect the bracket, tubes and spike together. Then attach the solar panel to the bracket. Slide the holding bracket into the inside lip of the top half of the solar panel frame. The bracket holds the weight of the solar panel. The solar panel can be adjusted for optimal sunlight by using the wingnut. Please see the diagram.



3. Insert the spike into the ground. Position the solar panel so it's facing south (in northern hemisphere) as much as possible to maximize daylight hours. It is important to angle the solar panel to face the sun when the sun is at its highest point. Ensure the solar panel is not shaded by trees, shrubs or buildings.



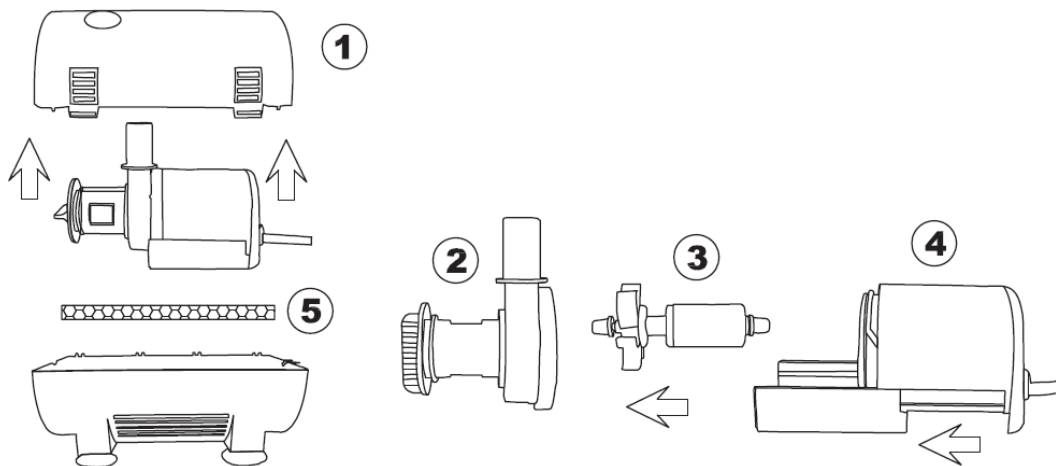
4. Twisting the pump plug slightly, sliding it into the [pump] socket. Make sure its sealing ring is fully in the groove. Your solar pump is now ready to use. It will begin working once the panel is in direct sunlight.

5. Solar Pump Functions

This pump runs from direct sunlight. The pumps performance is directly related to the amount and strength of sunlight received by the solar panel. This solar pump is designed primarily to operate in summer months but can also work in spring and autumn if there is direct sunlight. Notes: This model **DOES NOT** come with a battery, so the pump will only work when the solar panel is in sunlight.

6. MAINTENANCE OF PUMP

If you find the pump starts losing power or stops working, please clean the pump filter and impeller with clean water.



① PUMP CASE ② IMPELLER COVER
③ IMPELLER ④ PUMP ⑤ FILTER

7. TROUBLE SHOOTING

- Check to see if the solar panel and pump are connected properly
- Check to see if the solar panel is correctly positioned facing the sun. Please ensure the solar panel is not in the shade or obstructed by trees, shrubs or a building.
- Check if [low battery] red light is blinking. If so, this indicates that the battery power is low. Switch off the pump and leave the solar panel charging under direct sunlight for at least 6 hours
- Check to see if the pump impeller is blocked by debris
- Check the pump. It may be “air locked”. Turn the pump on/off switch several times to clear any air that may have been trapped.

8. TECHNICAL DATA

- Max. Water Flow: 500LPH
- Max. Water Lift: 140CM
- Working Voltage: DC12V – DC15V
- Pump Working Power: 2.75W – 4.4W
- Protection Grade of Pump: IP68
- Solar Panel: 5.0W; 15V; 0.333A
- Solar Panel Size: 270x235x18mm
- Protection Grade of Panel: IP44

9. WINTER PROTECTION

Indoor storage is recommended during winter months. Normal operating temperature is between 50 and 113 °F.

Please visit www.allsolarcentral.com for more products and offers.

