



SF011 Solar Desert Spring Fountain Instructions

By All Solar Central

www.allsolarcentral.com

Thank you from the entire ASC family for purchasing an ASC solar product! Please read this entire booklet before assembly.

Package contents:

Fountain:

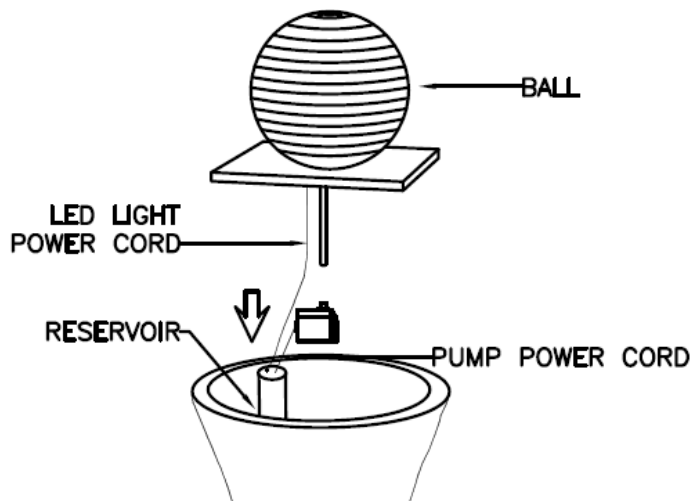
- 1 x Spring Fountain Body
- 1 x Ball
- 1 x LED Light

Solar Water Pump Kit:

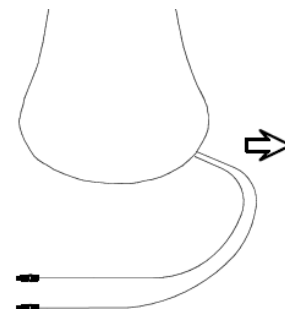
- 1 x Water Pump with 16 ft. Cable
- 1 x Set of Fountain Nozzles
- 1 x Solar Panel with Battery
- 1 x Solar Panel Bracket
- 1 x Extension Tube
- 1 x Ground Spike

Notes: If there is any damage to the fountain or missing parts, please contact us at 1-626-582-8898 or www.allsolarcentral.com/contactus

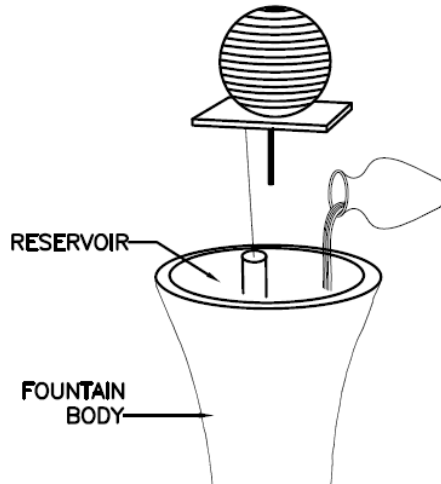
FOUNTAIN ASSEMBLY:



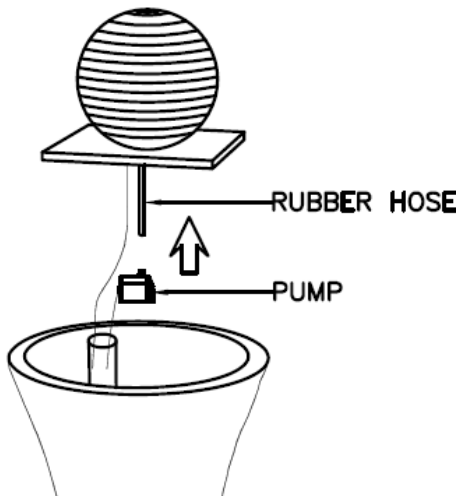
1. Feed the pump and LED Light cable through the plastic tube in reservoir and exit from the bottom of the Fountain Body.



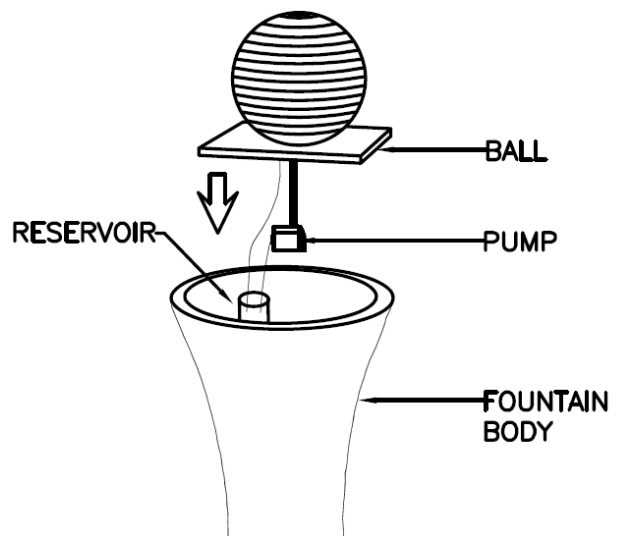
- Fill the reservoir with water so the pump is completely submerged. **Note:** In order to reduce mineral deposits and bacteria build-up, it is recommend using distilled water.



- Attach the pump to the rubber hose from the ball.



- Place the ball with connected pump onto the reservoir of the fountain body. Then, connect pump and LED cables to the solar panel.



SOLAR PUMP KIT SSEMBLY:

Please refer to Solar Water Pump Kit Instructions.

Please visit www.allsolarcentral.com for more product detail and offers.

