



SF009 Solar Tulip Fountain Instructions

By All Solar Central

www.allsolarcentral.com

Thank you from the entire ASC family for purchasing an ASC solar product! Please read this entire booklet before assembly.

Package contents:

Fountain:

- 1 x Tulip Column
- 1 x Reservoir
- 1 x Pedestal

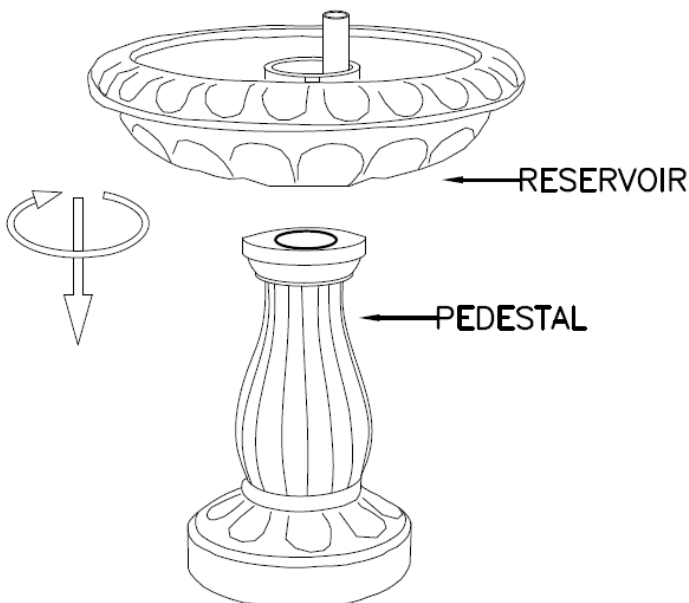
Solar Water Pump Kit:

- 1 x Water Pump with 16 ft. Cable
- 1 x LED Light
- 1 x Set of Fountain Nozzles
- 1 x Solar Panel with Battery
- 1 x Solar Panel Bracket
- 1 x Extension Tube
- 1 x Ground Spike

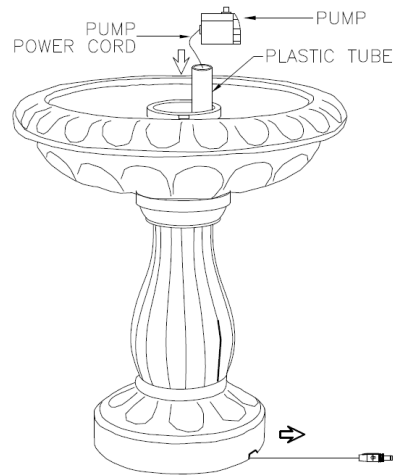
Notes: If there is any damage to the fountain or missing parts, please contact us at 1-626-582-8898 or www.allsolarcentral.com/contactus

FOUNTAIN ASSEMBLY:

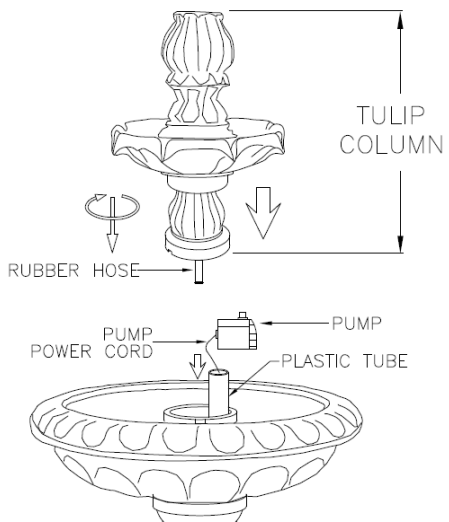
1. Place the reservoir on top of the pedestal and twist the reservoir clockwise to secure it.



2. Feed the pump cable through the plastic tube and slide it through the hole locate at the bottom of the pedestal.



3. Attach the pump to the rubber hose of the Tulip Column. Then place the Tulip Column onto the reservoir and twist clockwise to secure it.



4. Fill the reservoir with water so the pump is completely submerged. **Note:** In order to reduce mineral deposits and bacteria build-up, it is recommend using distilled water.

SOLAR PUMP KIT ASSEMBLY:

Please refer to Solar Water Pump Kit Instructions.

Please visit www.allsolarcentral.com for more product detail and offers.

