



SF005 Solar Barrel Fountain Instructions

By All Solar Central

www.allsolarcentral.com

Thank you from the entire ASC family for purchasing an ASC solar product! Please read this entire booklet before assembly.

Package contents:

Fountain:

- 1 x Upper Column
- 1 x Lower Column and Bucket
- 1 x Barrel

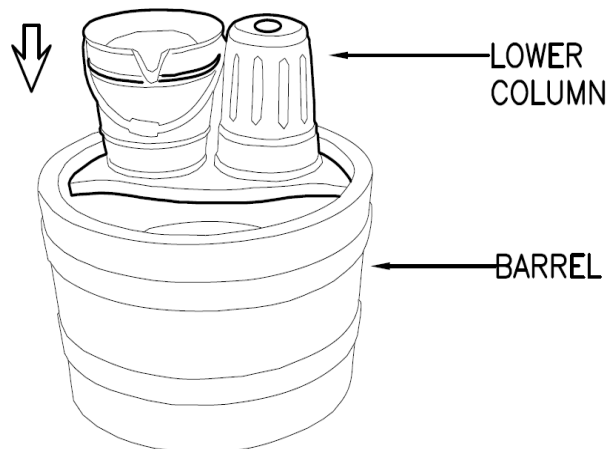
Solar Water Pump Kit:

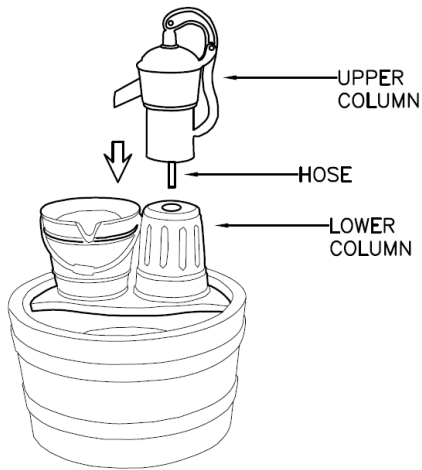
- 1 x Water Pump with 16 ft. Cable
- 1 x LED Light Ring with 16 ft. Cable
- 1 x Set of Fountain Nozzles
- 1 x Solar Panel with Battery
- 1 x Solar Panel Bracket
- 1 x Extension Tube
- 1 x Ground Spike

Notes: If there is any damage to the fountain or missing parts, please contact us at 1-626-582-8898 or www.allsolarcentral.com/contactus

FOUNTAIN ASSEMBLY:

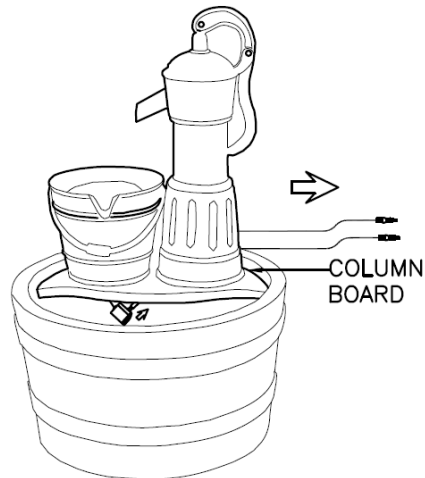
1. Place the lower column on the barrel.
Please ensure the lower column is stably sitting on the raised points.



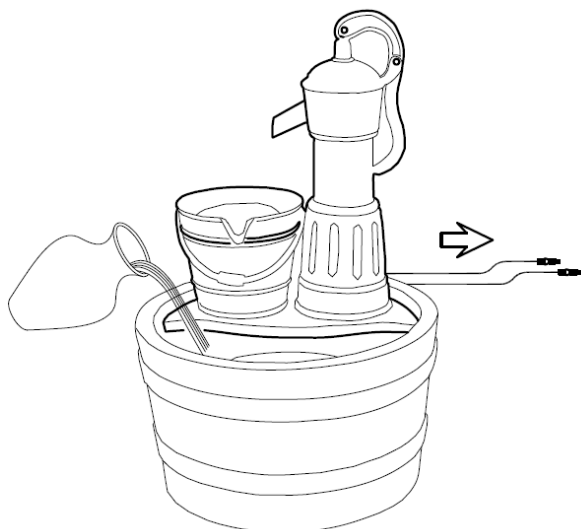


- Place the upper column on the lower column. Feed the flexible hose through the hole on top of the lower column.

- Connect the pump to the hose. Place the LED light (if LED light is provided) in the barrel. The pump and LED light cables will exit from the rear hole of lower column board.



- Fill the barrel with water so the pump is completely submerged. **Note:** In order to reduce mineral deposits and bacteria build-up, it is recommend using distilled water.



SOLAR PUMP KIT ASSEMBLY:

Please refer to Solar Water Pump Kit Instructions.

Please visit www.allsolarcentral.com for more product detail and offers.

