

FOSSIL BLU

# FSW1107

## 33" LUXURY HEAVY-GAUGE COPPER SINK

MATERIAL:

**12-GAUGE**

**99.7% PURE COPPER**

(0.3% MINERAL PHOSPHOROUS; ADDED FOR STRENGTH)

APRON:

**BOWED-FRONT**

FINISH:

**HAND-HAMMERED  
MEDIUM NATURAL PATINA**

ACCESSORIES INCLUDED:

**CLASSIC SINK GRID**

**DISPOSAL FLANGE**

(ACCESSORY FINISH: ANTIQUE COPPER)

WEIGHT:

**50.3 LBS (EMPTY)**

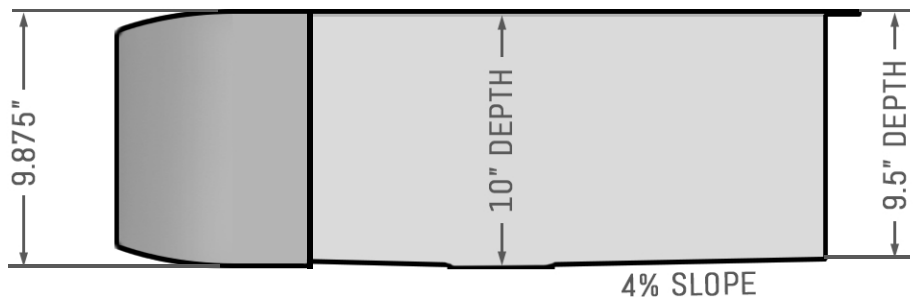
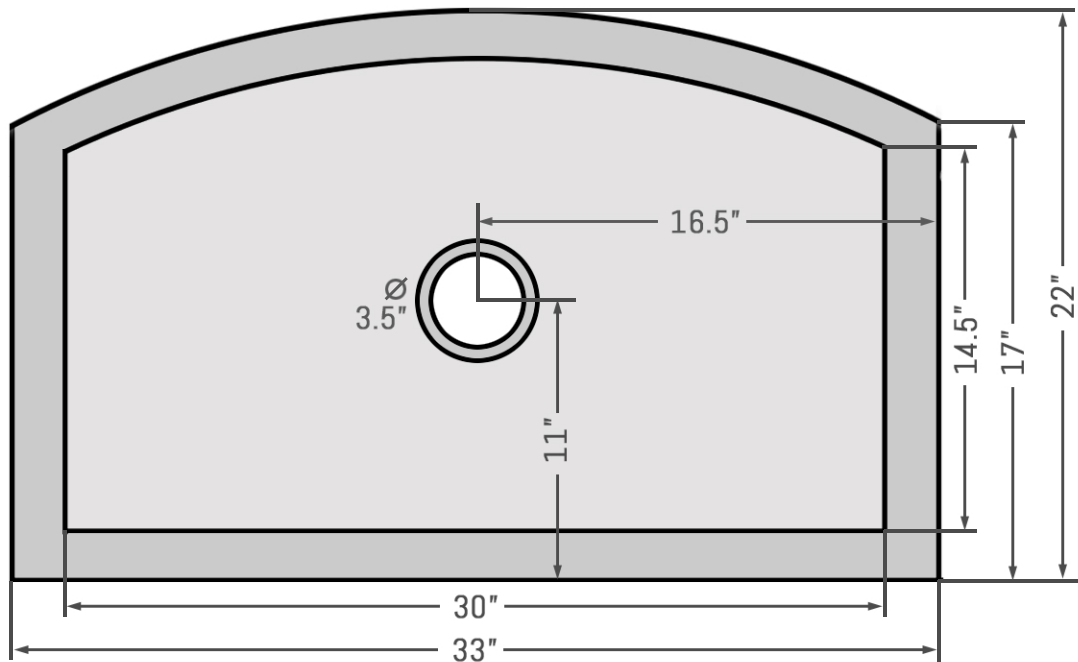
**217.4 LBS (FILLED)**

CORNER RADIUS:

**MODERN 1/2" RADIUS**

WARRANTY:

**LIMITED LIFETIME**



HANDMADE PRODUCT; MEASUREMENT TOLERANCES HELD TO +/- 2%