

FOSSIL BLU

FSW1101

33" LUXURY COPPER SINK

MATERIAL
99% PURE COPPER

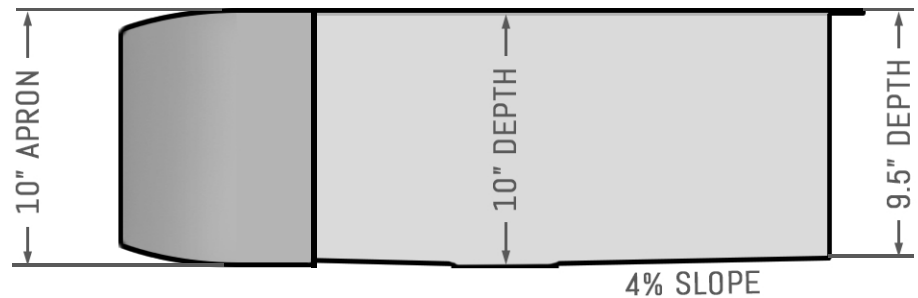
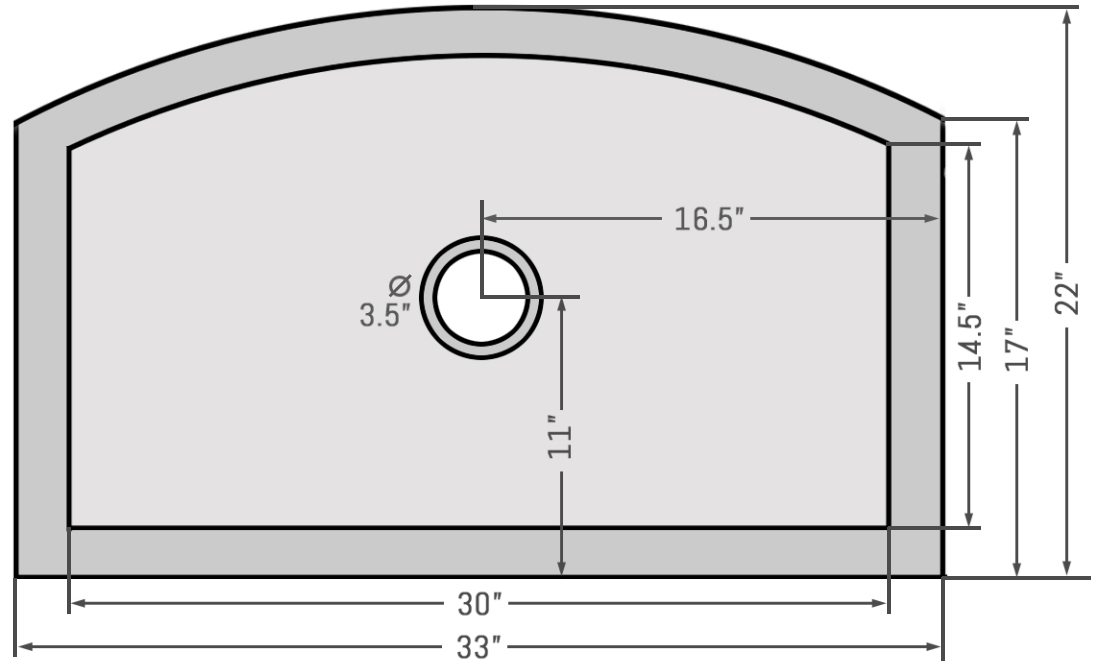
APRON
BOWED-FRONT

FINISH
DARK ANTIQUE

WEIGHT
52.6 LBS

CORNER RADIUS
MODERN 1/2" RADIUS

WARRANTY
LIMITED LIFETIME



HANDMADE PRODUCT; MEASUREMENT TOLERANCES HELD TO +/- 2%