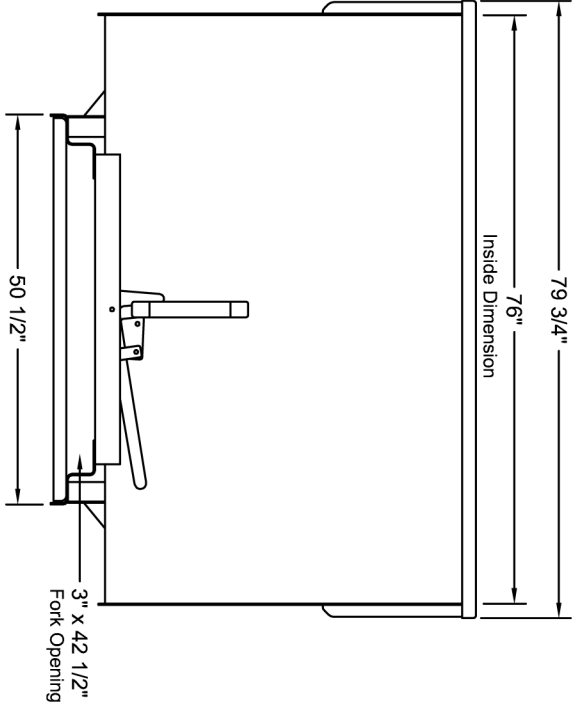
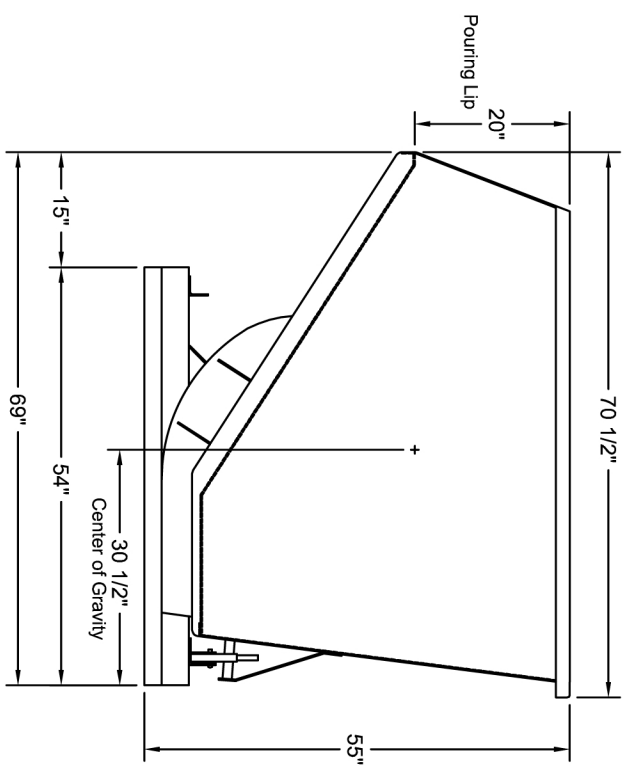
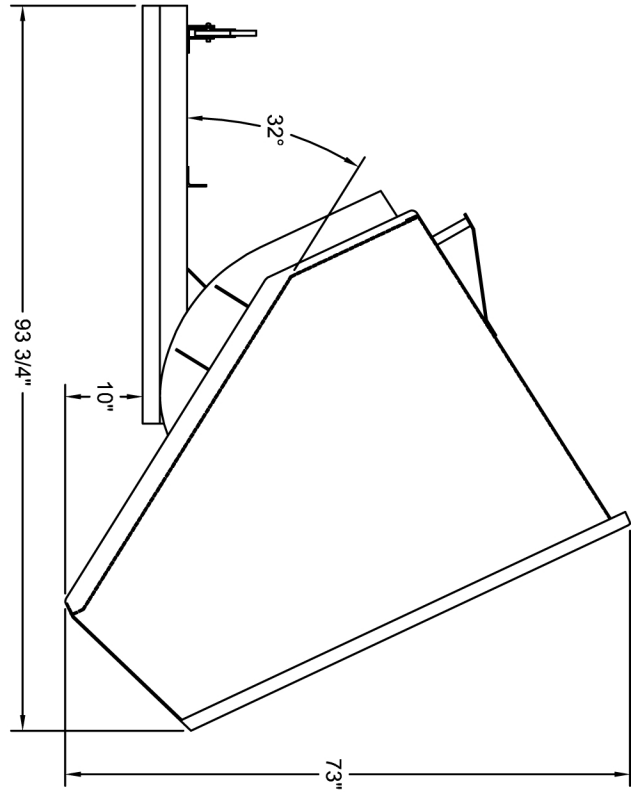


REVISIONS				
ZONE	REV	DESCRIPTION	DATE	APPROVED



Note: All dimensions are approximate some dimensions may vary slightly per hopper

UNLESS OTHERWISE SPECIFIED:
 DIMENSIONS ARE IN INCHES
 DECIMALS ± .050
 ANGULAR ± 0.5
 DO NOT SCALE DRAWING

WWW.INDUSTRIALHOPPERS.COM

4 yd Hopper Basic Dimensions

CHECKED	DATE	SIZE	FSCM NO.	DWG NO.	REV
DESIGN		B		40099	
DRAWN		SCALE None			
DATE		SHEET 1 OF 1			