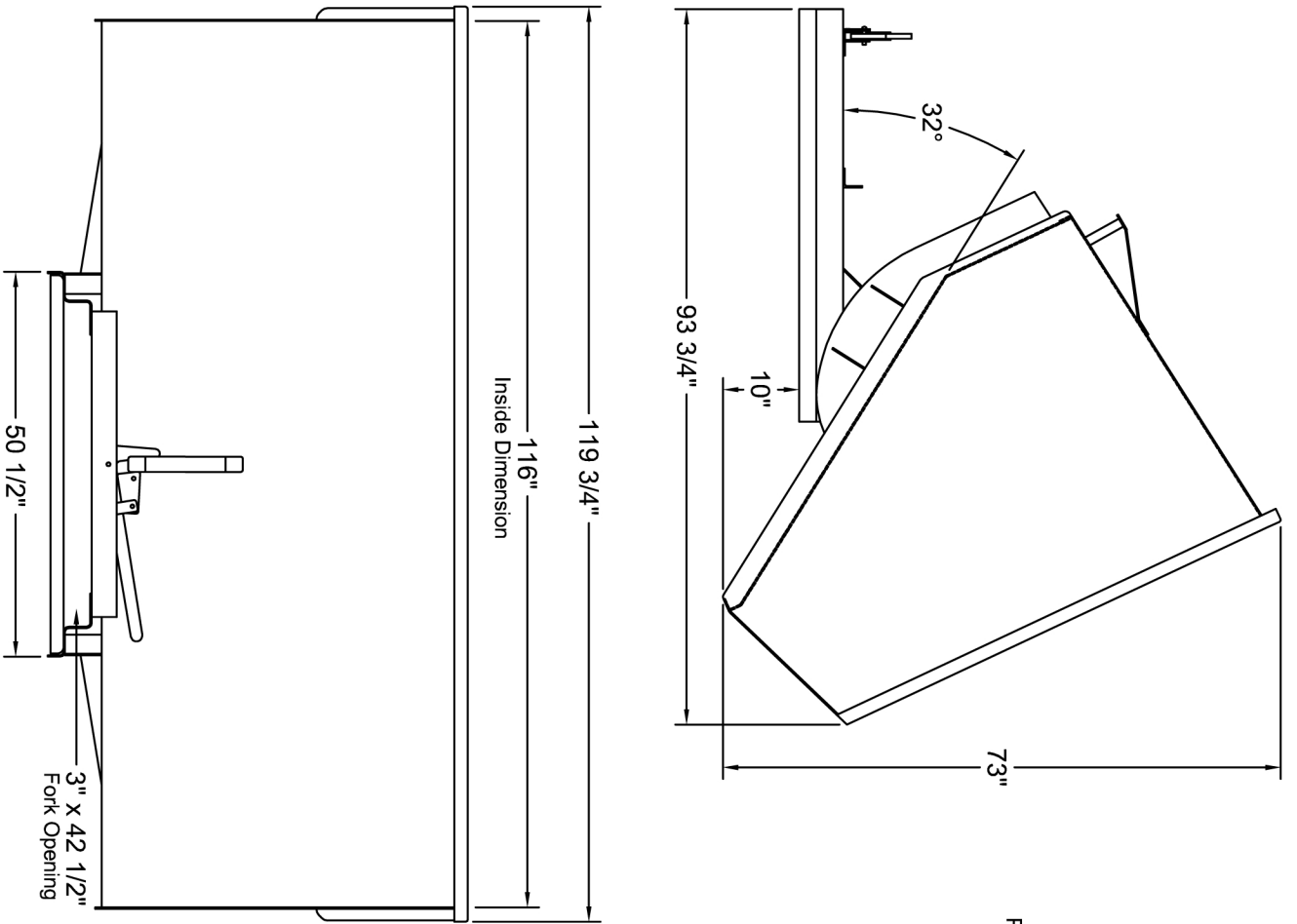
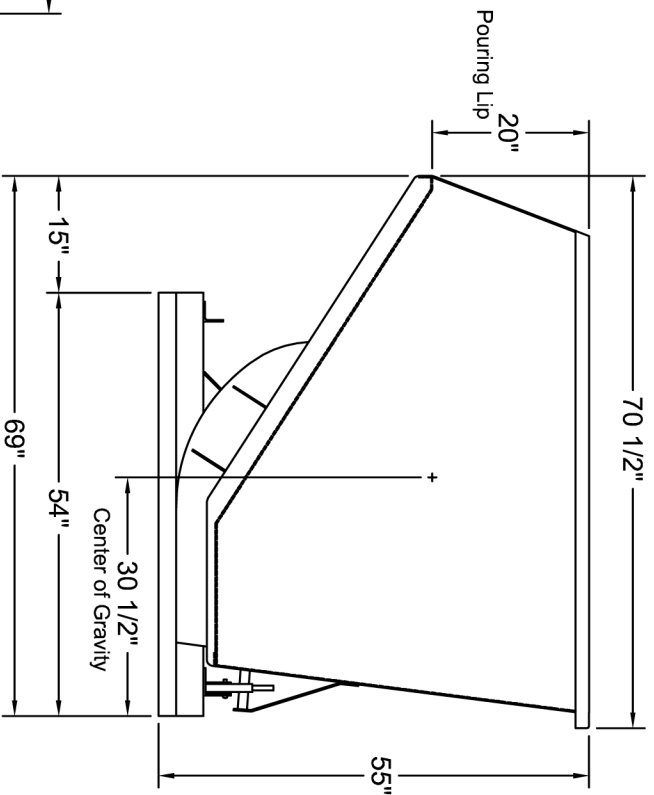


REVISIONS				
ZONE	REV	DESCRIPTION	DATE	APPROVED



Note: All dimensions are approximate some dimensions may vary slightly per hopper

UNLESS OTHERWISE SPECIFIED: DIMENSIONS ARE IN INCHES TOLERANCES DECIMALS ± .050 ANGULAR ± 0.5 DO NOT SCALE DRAWING		DATE	
<b>WWW.INDUSTRIALHOPPERS.COM</b>			
6 yd Hopper Basic Dimensions			
CHECKED	DESIGN	SIZE	REV
		B	
FSCM NO.		DWG NO.	
		60099	
SCALE None		SHEET	1 OF 1