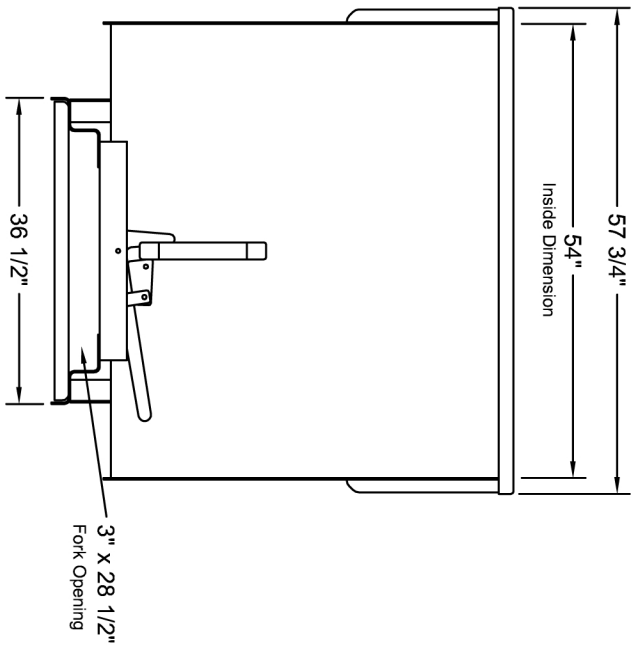
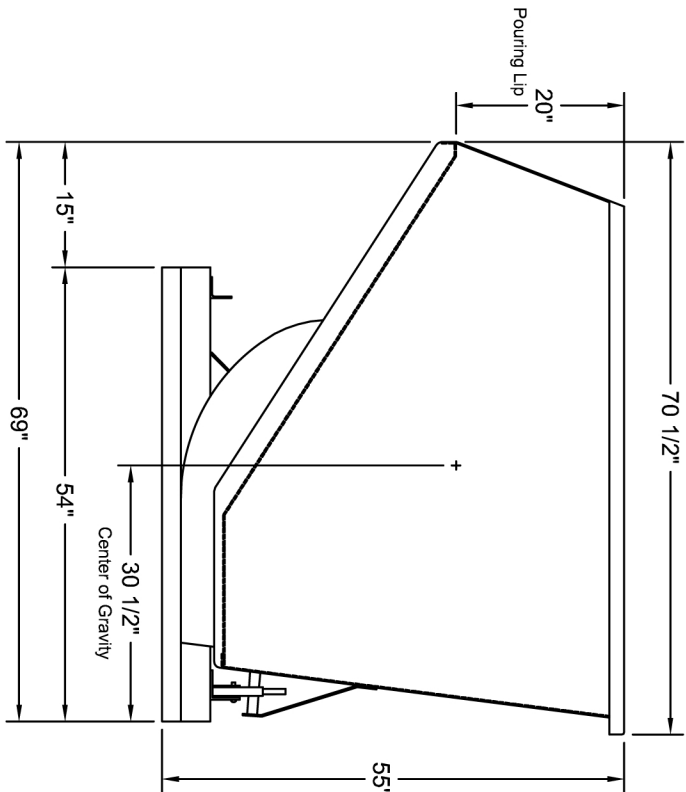
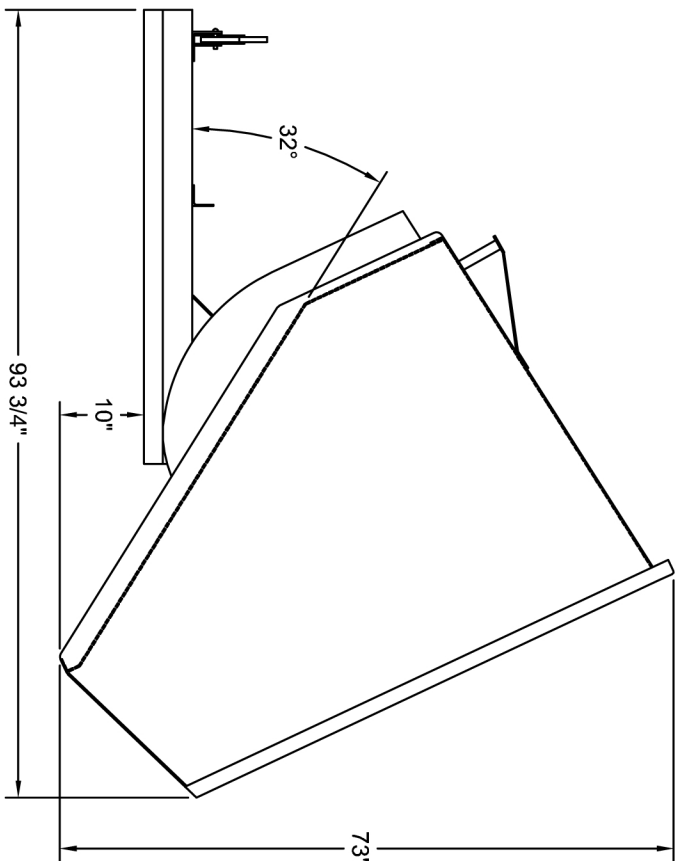


REVISIONS				
ZONE	REV	DESCRIPTION	DATE	APPROVED



Note: All dimensions are approximate some dimensions may vary slightly per hopper

3" x 28 1/2"
Fork Opening

UNLESS OTHERWISE SPECIFIED:
DIMENSIONS ARE IN INCHES
DECIMALS ± .05
XX ± .05
XX ± .05
XX NOT SCALE DRAWING

WWW.INDUSTRIALHOPPERS.COM

3 yd Hopper Basic Dimensions

CHECKED	DATE	SIZE	FSCM NO.	DWG NO.	REV
DESIGN		B		30055, 30077, 30099	
DRAWN		SCALE	None	SHEET	1 OF 1

REVISED MAY 08