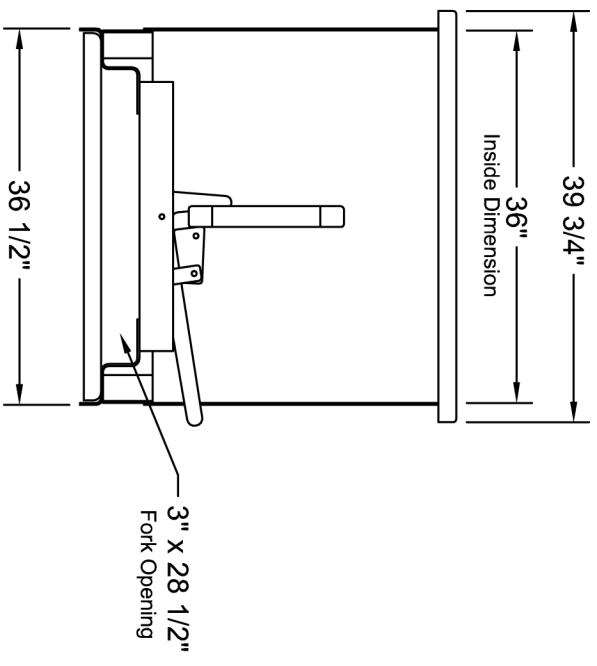
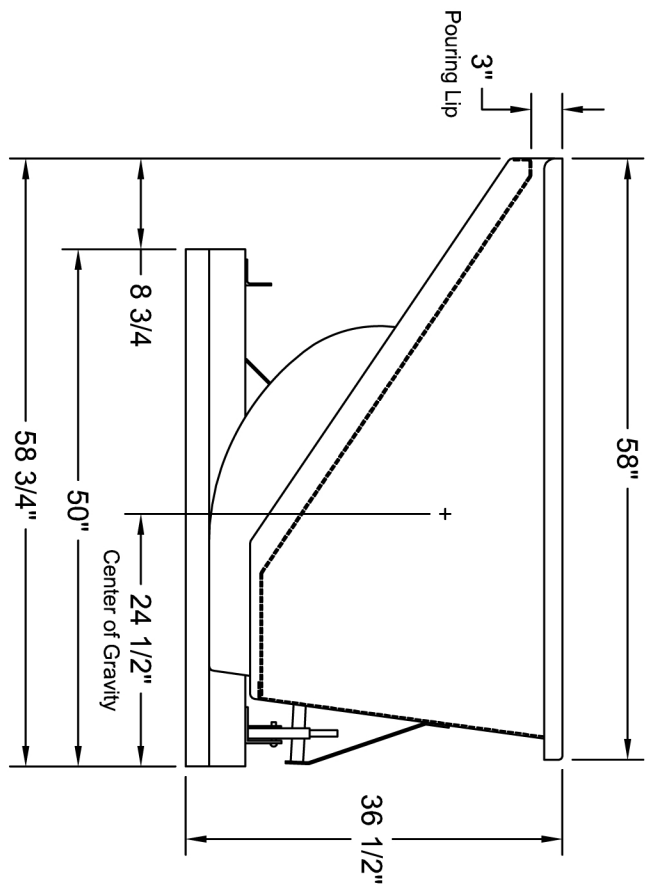
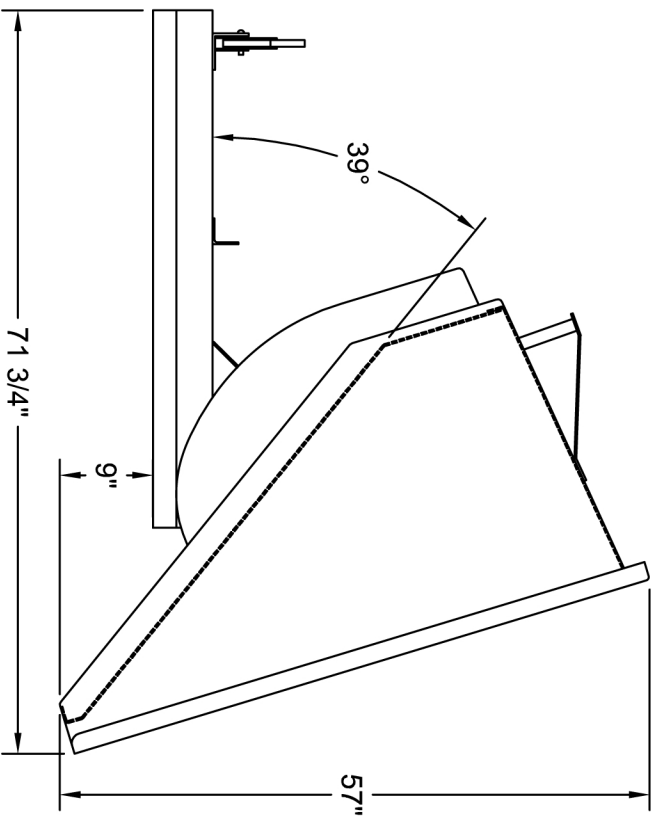


REVISIONS				
ZONE	REV	DESCRIPTION	DATE	APPROVED



Note: All dimensions are approximate some dimensions may vary slightly per hopper

UNLESS OTHERWISE SPECIFIED: DIMENSIONS ARE IN INCHES DECIMALS ± .050 ANGULAR ± 0.5 DO NOT SCALE DRAWING		WWW.INDUSTRIALHOPPERS.COM	
DRAWN	DATE	3/4 yd Hopper Basic Dimensions	
CHECKED	DESIGN	SIZE B	FSCM NO. 7555, 7577, 7599
		SCALE None	DWG NO. 7555, 7577, 7599
		SHEET 1	OF 1