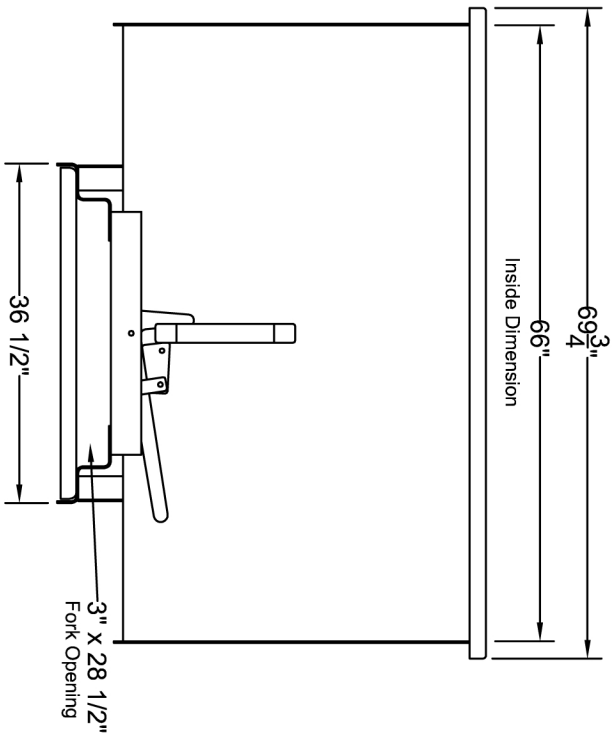
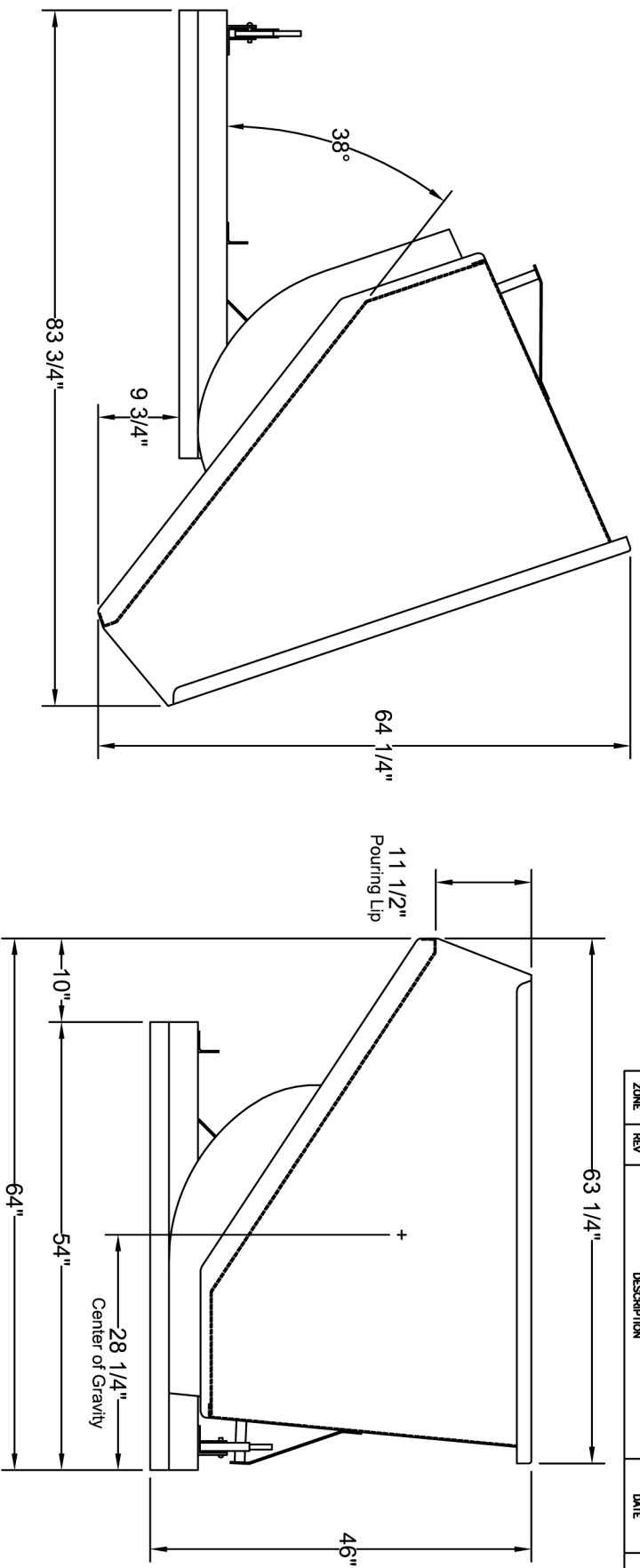


REVISIONS				
ZONE	REV	DESCRIPTION	DATE	APPROVED



Note: All dimensions are approximate some dimensions may vary slightly per hopper

UNLESS OTHERWISE SPECIFIED: DIMENSIONS ARE IN INCHES DECIMALS ± .050 ANGULAR ± 0.5 DO NOT SCALE DRAWING		DATE	
DRAWN		DATE	
CHECKED		DATE	
DESIGN		DATE	
WWW.INDUSTRIALHOPPERS.COM			
2 1/2 yd Wide Hopper Basic Dimensions			
SIZE	FSCM NO.	DWG NO.	REV
B		26055, 26077, 26099	
SCALE	None		SHEET 1 OF 1