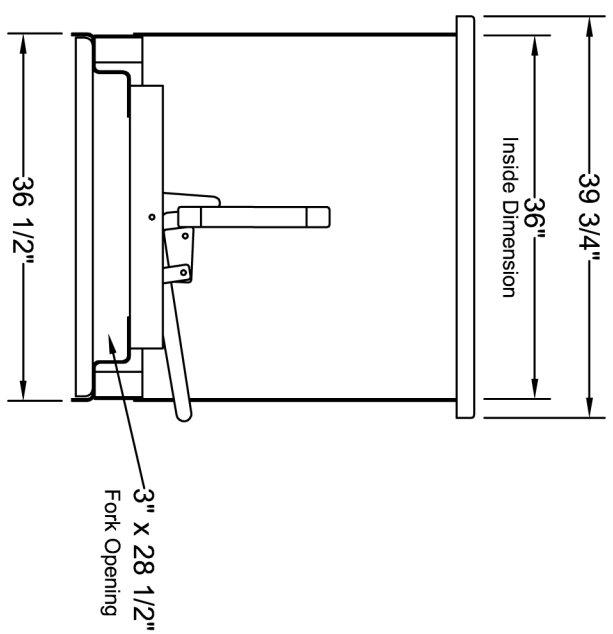
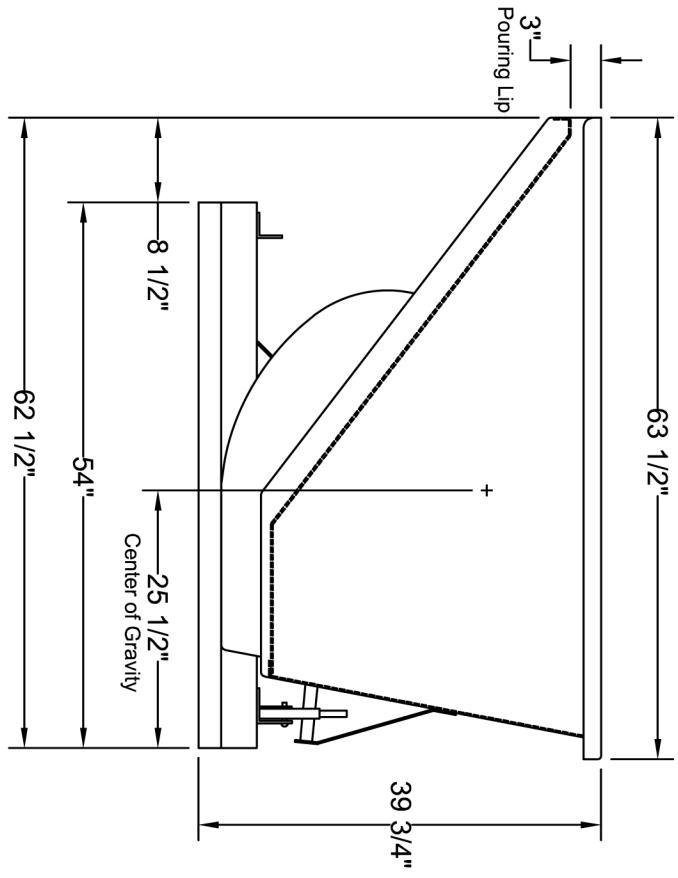
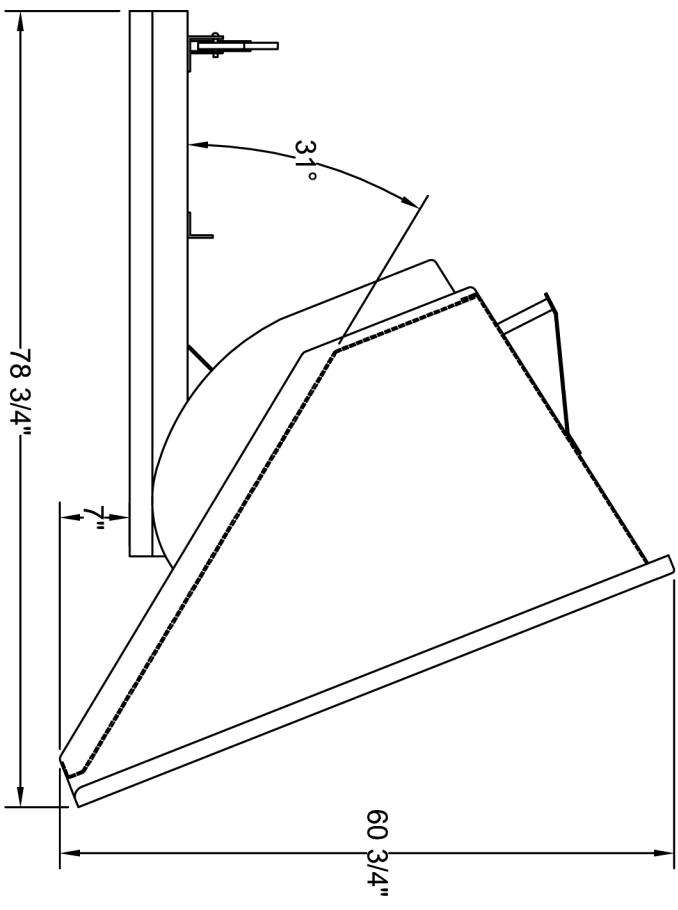


REVISIONS				
ZONE	REV	DESCRIPTION	DATE	APPROVED



Note: All dimensions are approximate some dimensions may vary slightly per hopper

UNLESS OTHERWISE SPECIFIED:  
 DIMENSIONS ARE IN INCHES  
 DECIMALS ± .05  
 ANGULAR ± 0.5  
 DO NOT SCALE DRAWING

**WWW.INDUSTRIALHOPPERS.COM**

1 yd Hopper Basic Dimensions

CHECKED	DATE	SIZE	FSCM NO.	DWG NO.	REV
DESIGN		B		10055, 10077, 10099	
		SCALE None			SHEET 1 of 1