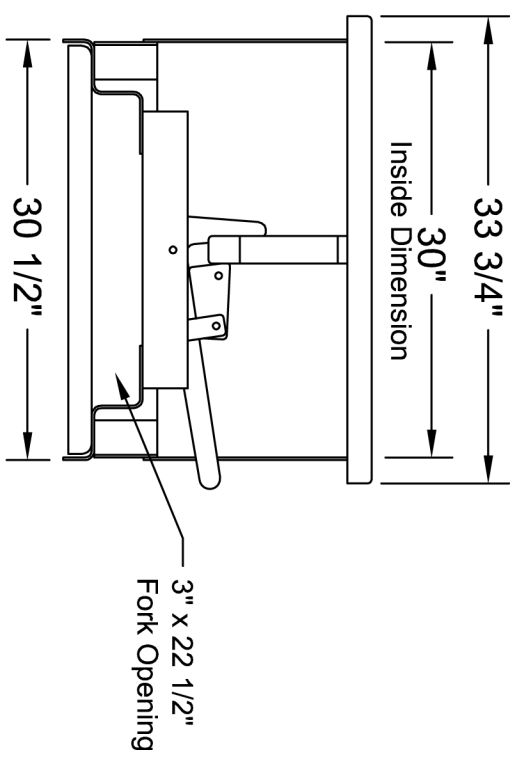
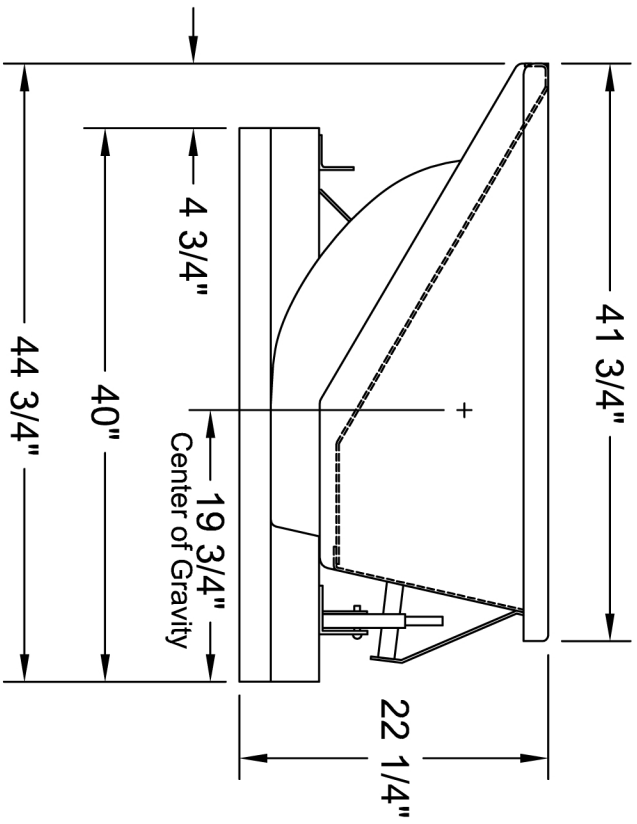
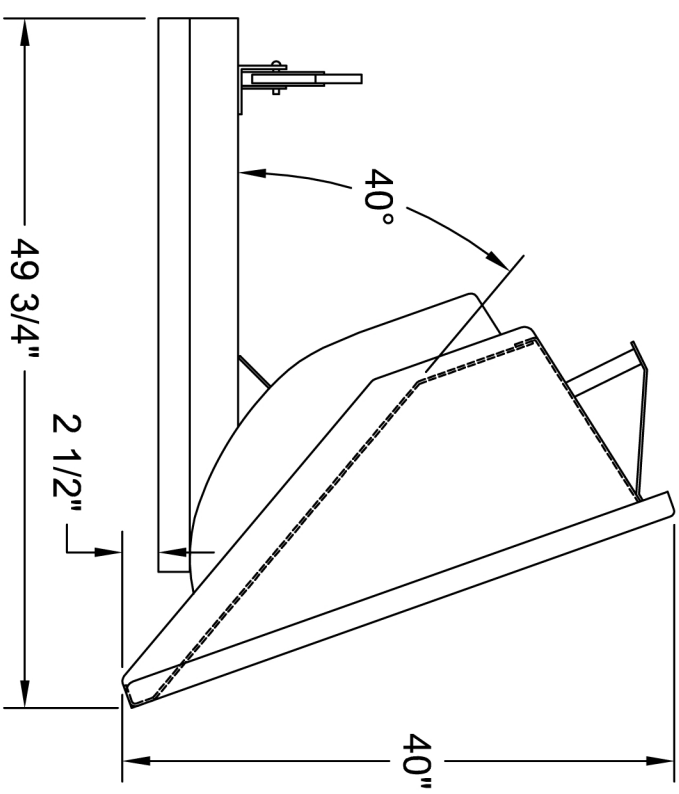


| REVISIONS | | | | |
|-----------|-----|-------------|------|----------|
| ZONE | REV | DESCRIPTION | DATE | APPROVED |
| | | | | |



Note: All dimensions are approximate some dimensions may vary slightly per hopper

| | | | |
|---|----------|------------|--------|
| UNLESS OTHERWISE SPECIFIED: DIMENSIONS ARE IN INCHES TOLERANCES ANGULAR ± 0.5 XX ± .05 DO NOT SCALE DRAWING | | DATE | |
| DRAWN | | DATE | |
| CHECKED | | DATE | |
| DESIGN | | DATE | |
| WWW.INDUSTRIALHOPPERS.COM | | | |
| 1/4 yd Hopper Basic Dimensions | | | |
| SIZE | FSCM NO. | DWG NO. | REV |
| B | | 2555, 2577 | |
| SCALE | None | SHEET | 1 of 1 |