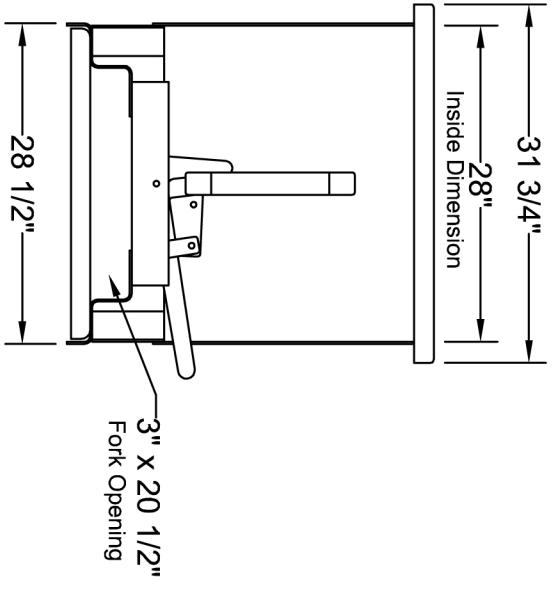
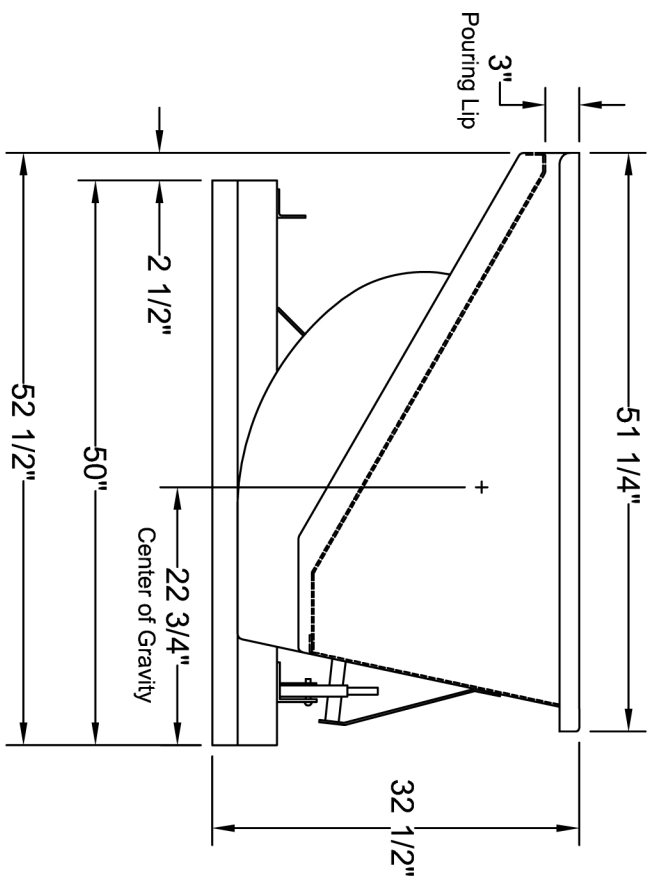
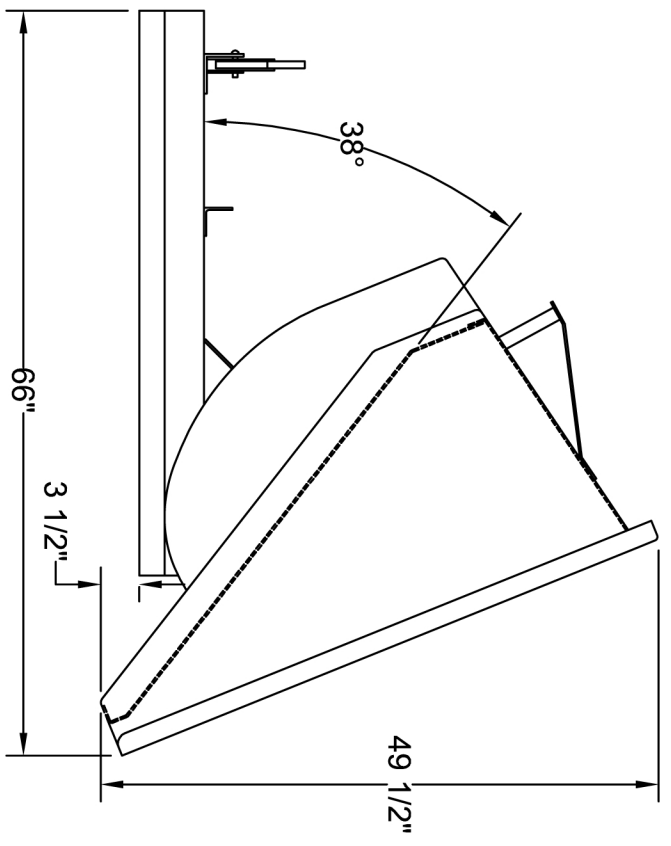


REVISIONS				
ZONE	REV	DESCRIPTION	DATE	APPROVED



Note: All dimensions are approximate some dimensions may vary slightly per hopper

UNLESS OTHERWISE SPECIFIED:  
 DIMENSIONS ARE IN INCHES  
 DECIMALS ± .050  
 ANGULAR ± 0.5  
 DO NOT SCALE DRAWING

**WWW.INDUSTRIALHOPPERS.COM**

1/3 yd Hopper Basic Dimensions

CHECKED	DATE	SIZE	FSCM NO.	DWG NO.	REV
DESIGN		B		3355, 3377, 3399	
		SCALE	None	SHEET	1 OF 1