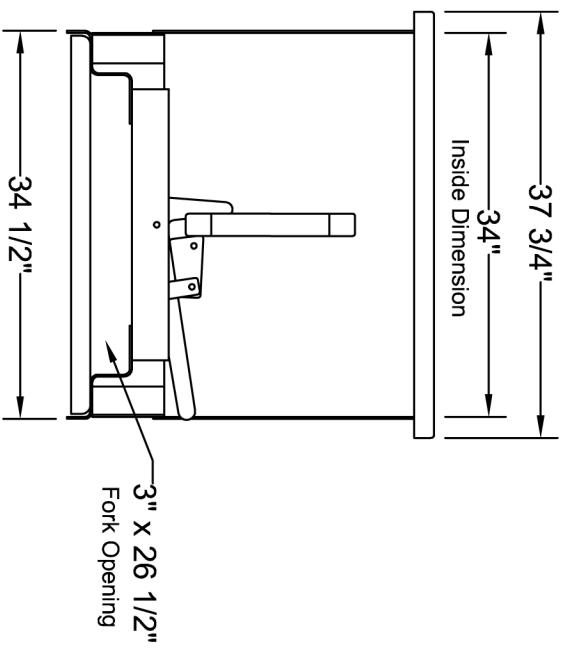
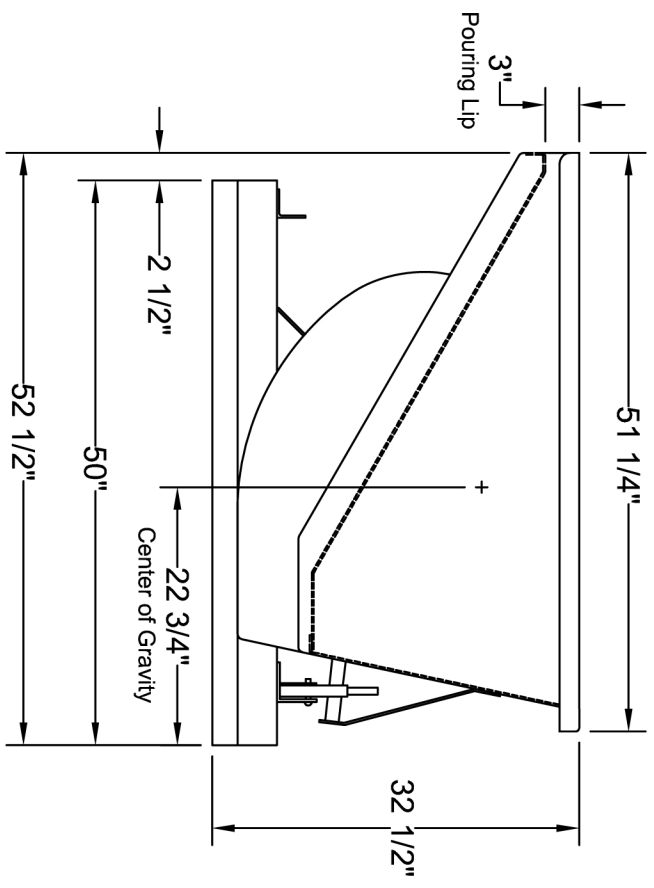
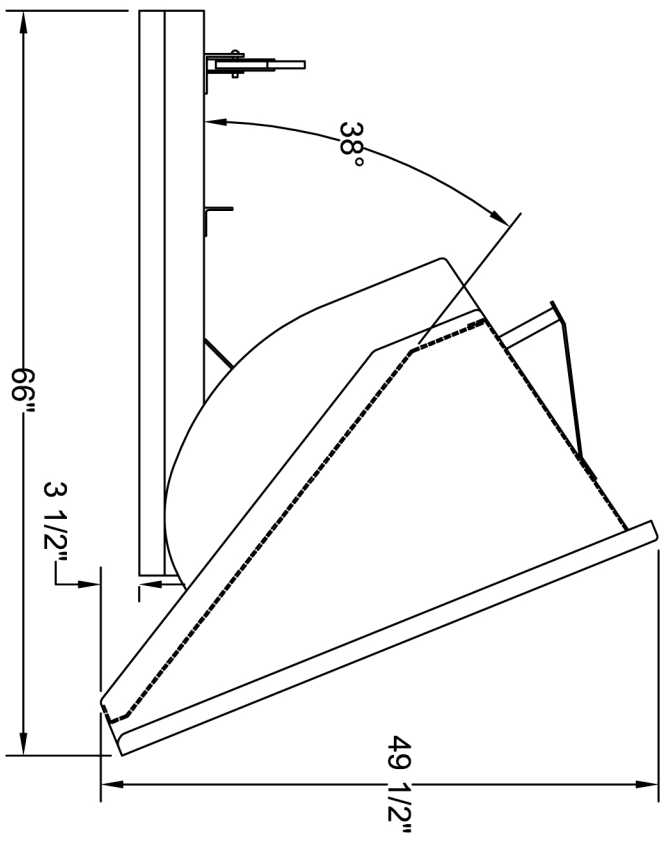


REVISIONS				
ZONE	REV	DESCRIPTION	DATE	APPROVED



Note: All dimensions are approximate some dimensions may vary slightly per hopper

UNLESS OTHERWISE SPECIFIED:
 DIMENSIONS ARE IN INCHES
 DECIMALS .05
 ANGULAR ± 0.5
 DO NOT SCALE DRAWING

WWW.INDUSTRIALHOPPERS.COM

1/2 yd Hopper Basic Dimensions

DRAWN	DATE	SIZE	FSCM NO.	DWG NO.	REV
CHECKED		B		5055, 5077, 5099	
DESIGN		SCALE	None	SHEET	1 OF 1