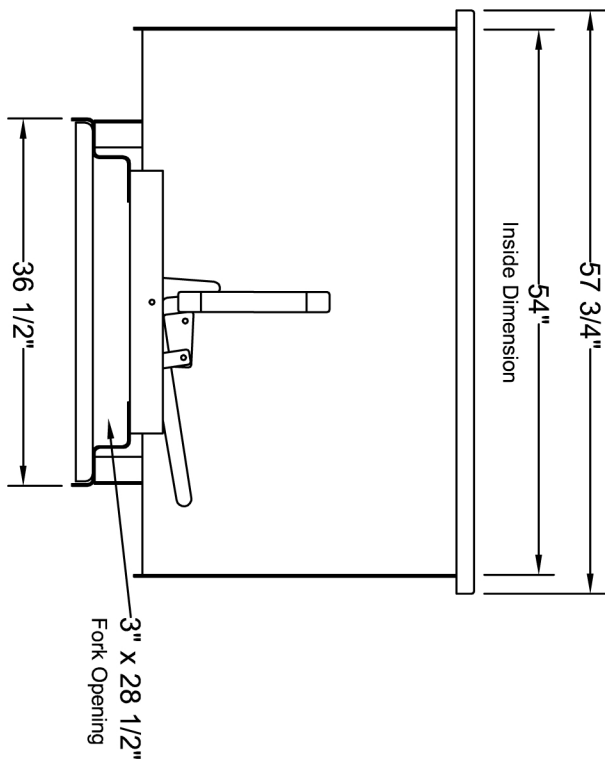
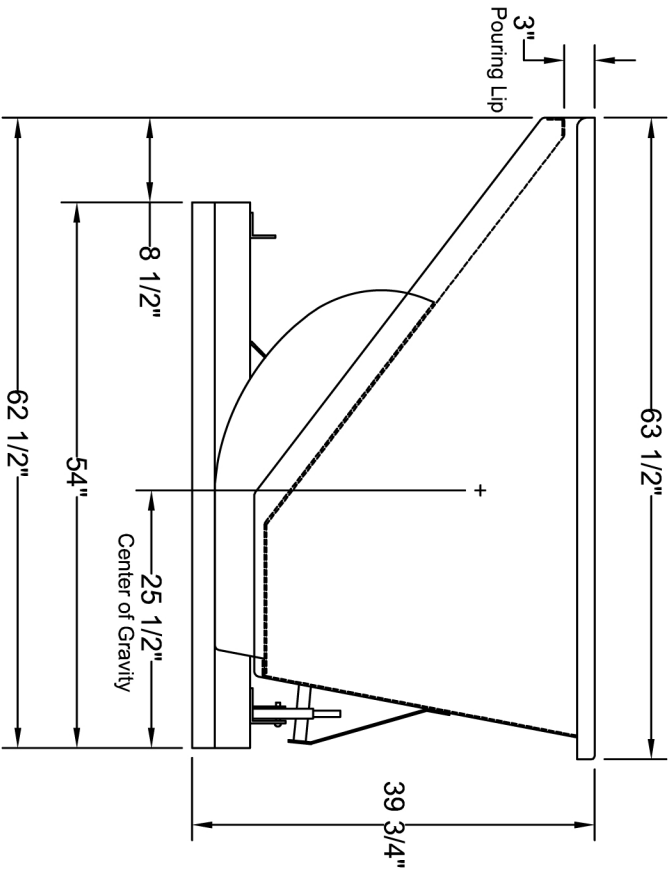
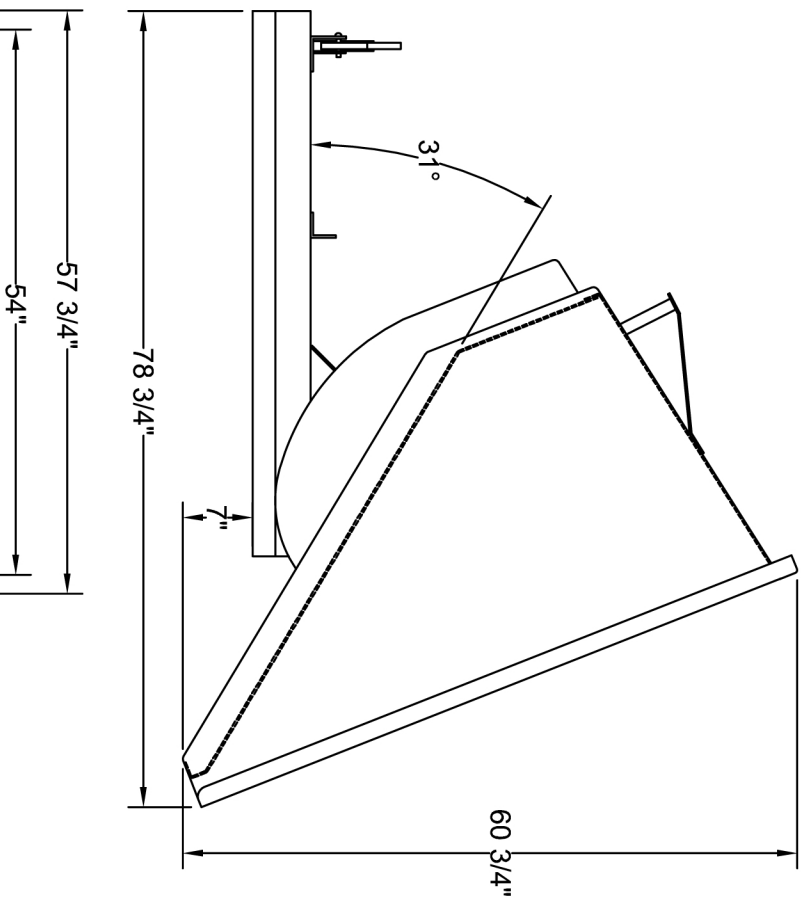


REVISIONS				
ZONE	REV	DESCRIPTION	DATE	APPROVED



Note: All dimensions are approximate some dimensions may vary slightly per hopper

UNLESS OTHERWISE SPECIFIED: DIMENSIONS ARE IN INCHES DECIMALS ± .05 ANGULAR ± 0.5 DO NOT SCALE DRAWING		DATE	
WWW.INDUSTRIALHOPPERS.COM			
1 1/2 yd Hopper Basic Dimensions			
CHECKED	DESIGN	SIZE	REV
		B	
FSCM NO.		DWC NO.	
		15055, 15077, 15099	
SCALE None		SHEET	1 OF 1