

espresso wakes up the world



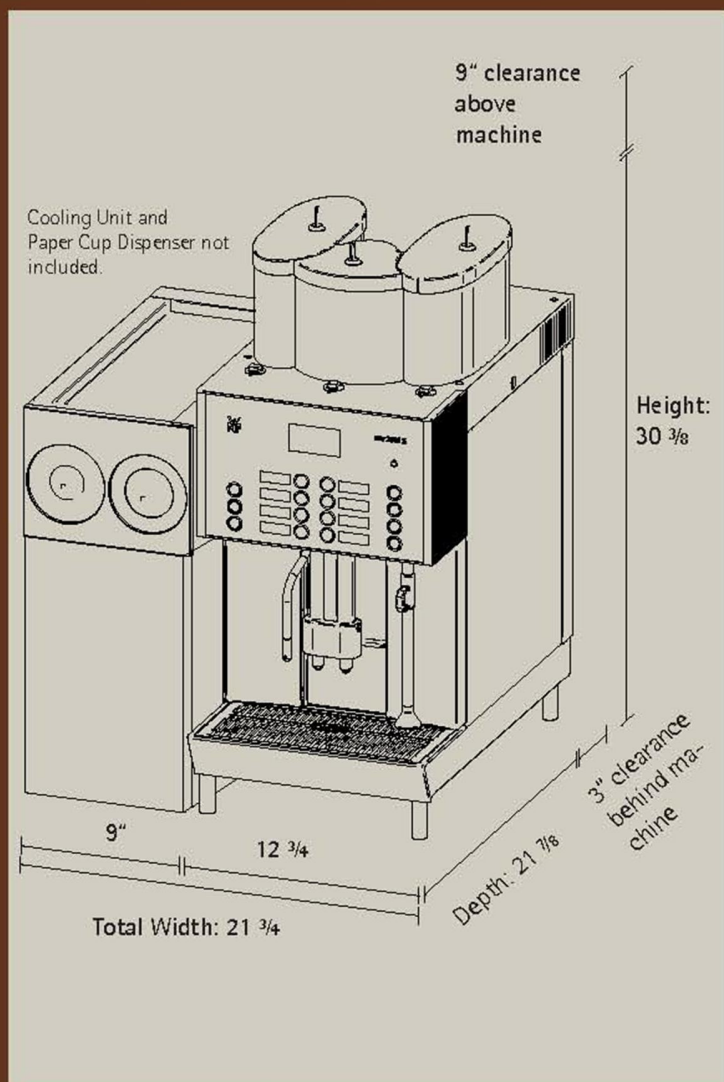
# WMF 2000S



hello  
Latte

# WMF 2000S

espresso wakes up the world



## Professional technology to enter the high volume 1-step world of espresso

An espresso machine is perfect if it does exactly what you need. The new WMF 2000S is designed for medium demand and is every bit equal to its big brother WMF bistro! in terms of quality and ease of use.

Its modern design, intuitive operation, a revolutionary cleaning concept, proven professional technology, service for which WMF is known and the price will set the WMF 2000S far above.

The 2000S provides fully automatic beverages with up to 1 chocolate type, espresso and decaf beans and 1 milk type as well as the jet function for Americano. With the patented fully automatic steam wand you can prepare the second milk type for lattes and cappuccinos.

The 2 x 8 programmable selection buttons in 3 sizes leave room for flexibility and individuality.

### Consistent 1 Step



Perfect espresso and chocolate based beverages at a touch of a button fully automatic. Hot milk, milk froth, espresso and chocolate are dispensed fully automatically through the combi spout.

### Flexible 2 Step



Consistent milk froth and steamed milk with the patented fully automatic steam wand. In addition any combinations of powder and milk can be used, for additional beverage recipes.

### TECHNICAL DATA

2 whole bean hoppers/grinders:	2.2 pounds each
1 soluble powder hopper:	2.2 pounds (apx)
Product Selections:	8 x SML settings, Decaf
Steam Wand:	fully automatic with up to 4 different settings for temperature and froth
Daily Output:	60 - 80 drinks per day
Spout height:	2 - 7.5"
Weight:	approx. 95 pounds empty
Warranty:	1 Year parts and labour (max. 30,000 cycles)
Approvals:	UL, NSF (ETL) RoHS
Electrical Requirements:	1 - 220VAC 30A L6-30 Receptacle on individual branch circuit (30A),
Rated power:	5.35kW @ 240V

### Easy to Clean



Automatic cleaning With the patented Plug and Clean System, cleaning and descaling are performed with the touch of a button. No more daily liquid chemicals or contamination from employees.

### Practical



1 chocolate type prepared automatically with espresso and froth or steamed milk. 8 beverage buttons leave enough room for future growth.

Subject to change without notice. Errors and omissions not exempt - applies to the full content.

### Specialty Beverage Solutions

6161 - 6 Street SE, Calgary, AB T2H 1L9

t 403-453-0080 | f 888-805-5541

email: sales@sbsolutions.ca | www.sbsolutions.ca

