



SHOP INDOOR GOLF
— America's Indoor Golf Store —



SCAN ME

8'x8' DIY ENCLOSURE KIT

Assembly Instructions & User Manual



Thank You!

Thank you for your purchase of a golf simulator impact screen and enclosure kit!

In this guide, you will find everything you need to complete the assembly of your kit and a few helpful tips to ensure you have the best indoor golf experience.

Table of Contents

SPECIFICATIONS & SAFETY	1
WHAT'S INCLUDED.....	2
OVERVIEW OF SIG ENCLOSURE.....	2
WHAT'S NOT INCLUDED	3
FRAME ASSEMBLY.....	5
ENCLOSURE ASSEMBLY	8
GOLF IMPACT SCREEN CARE & USE	11

Specifications

Product Name	8' x 8' DIY Enclosure Kit
Enclosure Dimensions	8'4" (H) X 8'4" (W) X 5' (D)
Materials	Canopy Fittings: Steel Surround: Nylon Screen: 3 Layer Tight Knit Polyester
Weight	110lbs
Color	Black
Screen Viewable Dimensions	7'7" (W), 7'7" (H), 10' 8" Diagonal
Recommended Space Requirements	We recommend a Width of at least 10 feet, Length of 16 feet and a ceiling height of at least 9 feet.

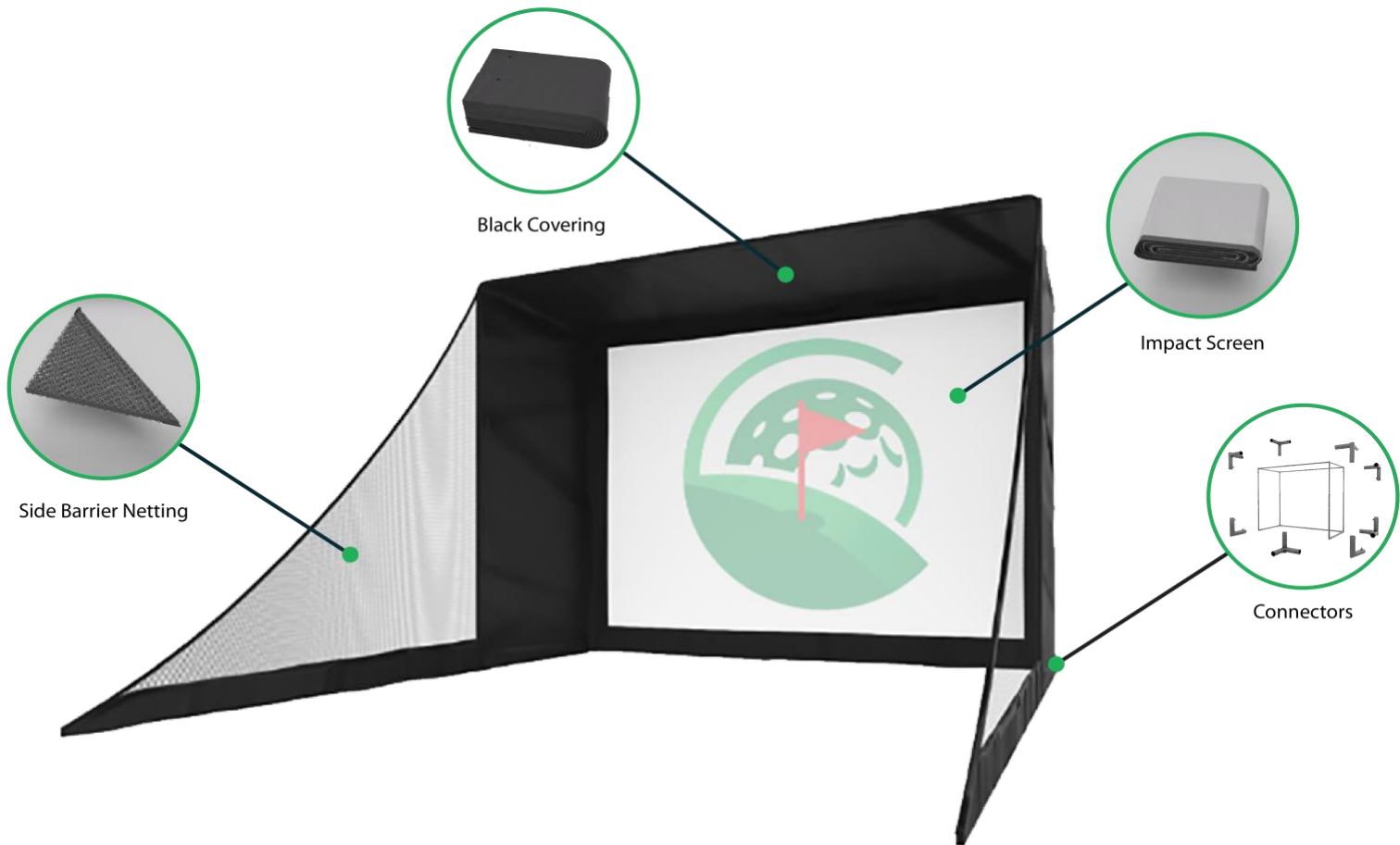
Safety Instructions

- Please make sure to take proper safety precautions and keep children, pets, and spectators out of swing range.
- Additionally, take every precaution to protect ceilings, walls, windows, cars, and neighboring homes.
- Be alert of where you stand or walk and stay out of someone's swing path
- Make sure the setup is far from gas, electric heater, fireplace, candles, or any other similar source of heat.
- When not in use, store neatly in a cool dry location, protected from sunlight
- We are not responsible for damage to property &/or personal injury.
- Be mindful of potential falling Pipe if not tightened properly.
- Do not hang from the enclosure.

What's Included

- (1) Nylon Enclosure Surround
- (1) SIGPRO Premium Impact Screen
- (2) Bundles of Bungees (6" ball bungees)
- (1) Weighted Bag Attachment
- (2) Side Barriers
- (2) Sand Bags
- (8) Canopy Fittings

Enclosure Overview



What's Not Included

Pipe Frame

(9) 10 Foot EMT Pipe

Cut Sizes for Pipe

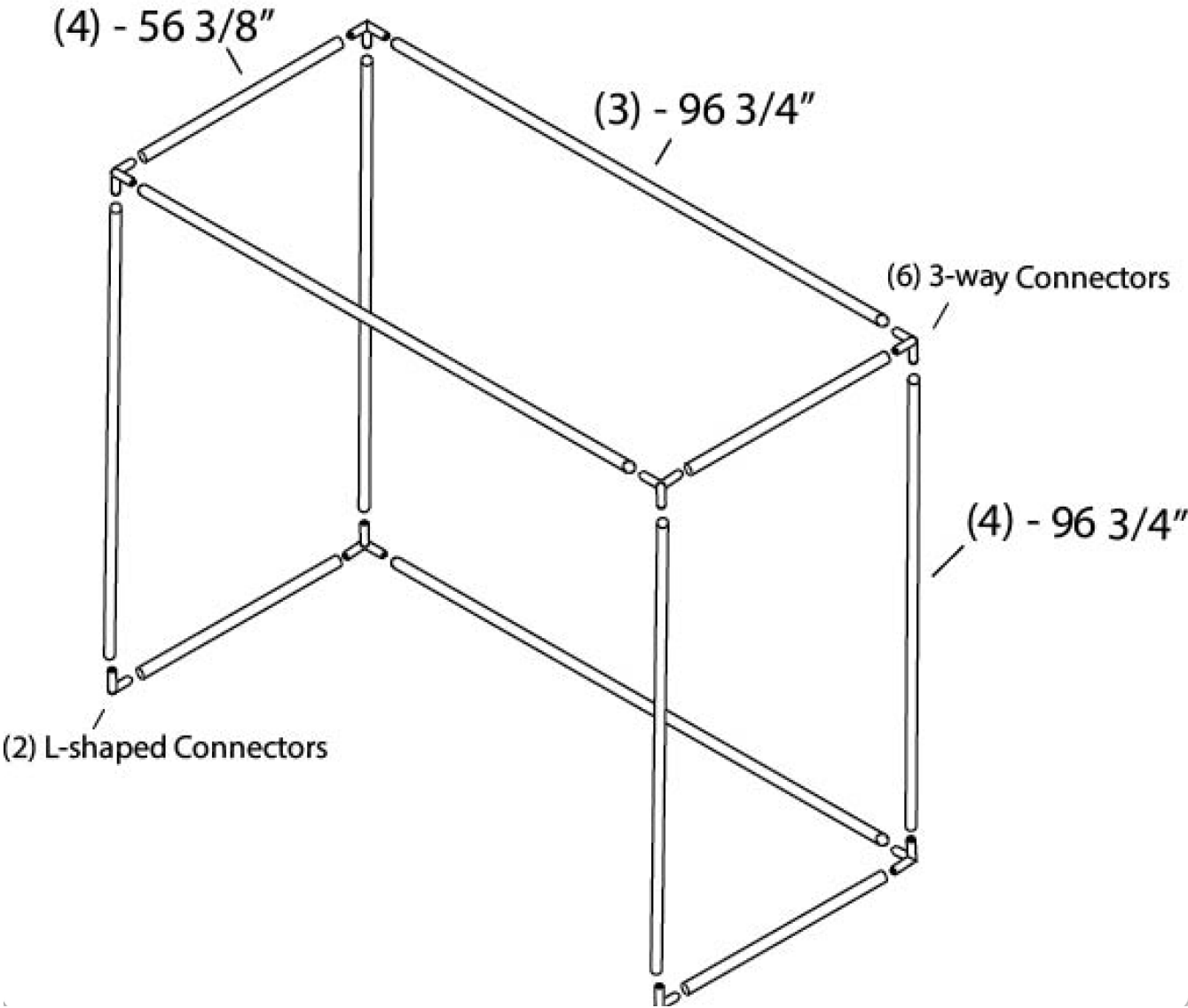
-(7) 1" EMT Pipe at 96 $\frac{3}{4}$ "

-(4) 1" EMT Pipe at 56 $\frac{3}{8}$ "

Tools Needed

- Ladder
- Wrench/ Socket Set
- Pipe Cutter (Chop Saw)
- Tape Measure

Enclosure Diagram Page

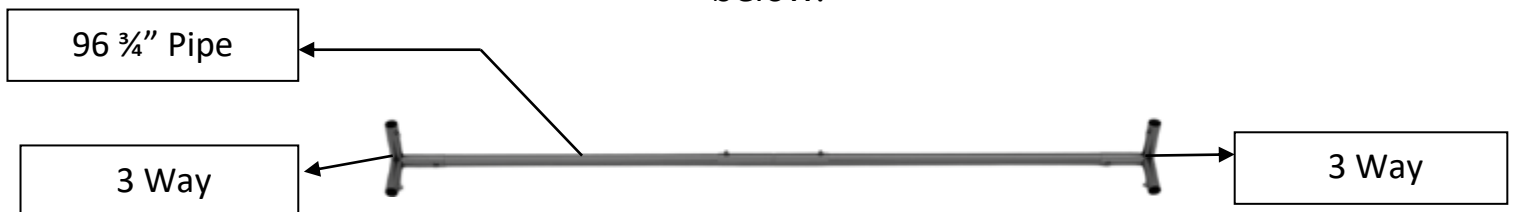


Frame Assembly

Note: Insert Pipe all the way into canopy fitting connectors and then tighten the hex bolts with a wrench or socket wrench. This step will be repeated throughout the Frame Assembly Portion of this manual.

Step 1

Attach the 96 3/4" Pipe to the 3-way to the both sides of the pipe as shown in the image below:



Step 2

Now insert 56 3/8" Pipe into the left and right side of the frame at the bottom.

Step 3

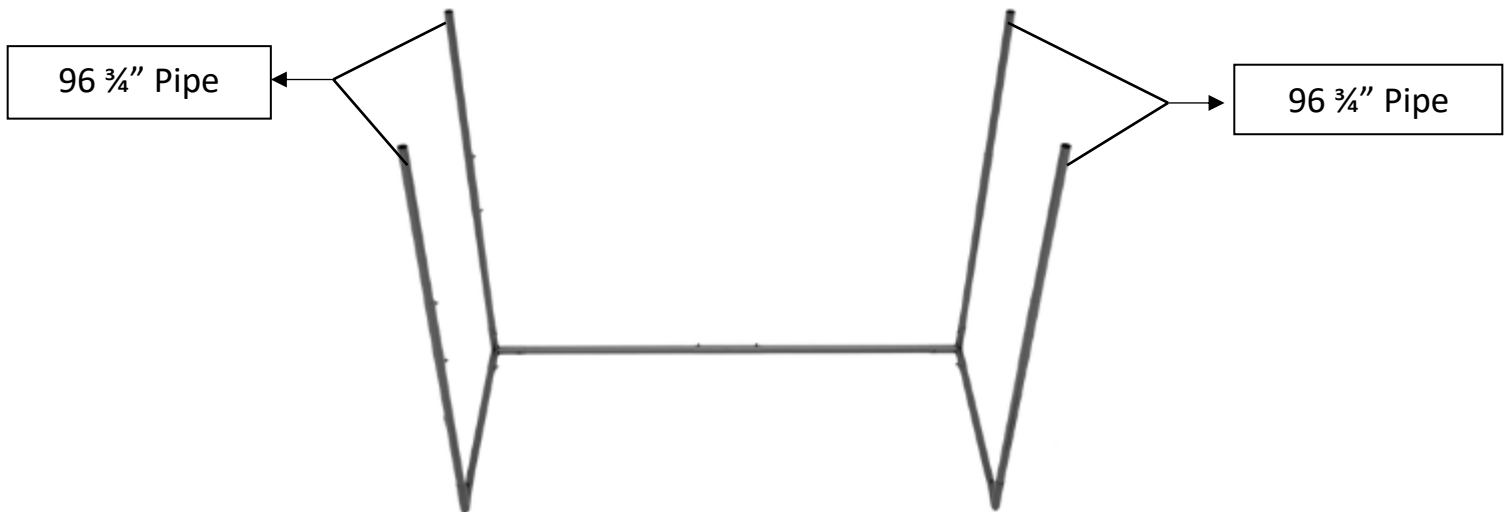
Connect L shaped connector to the left and right of the frame as shown in the image below:



Frame Assembly

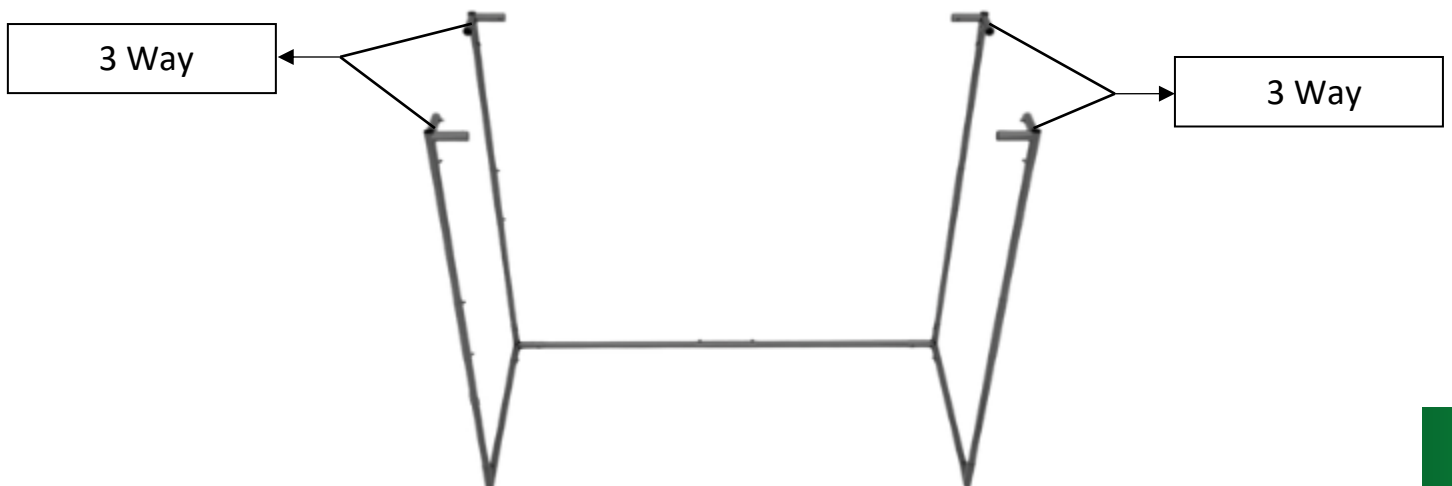
Step 4

Connect the 96 3/4" Pipe vertically to the all four sides of the frame as shown in the image below



Step 5

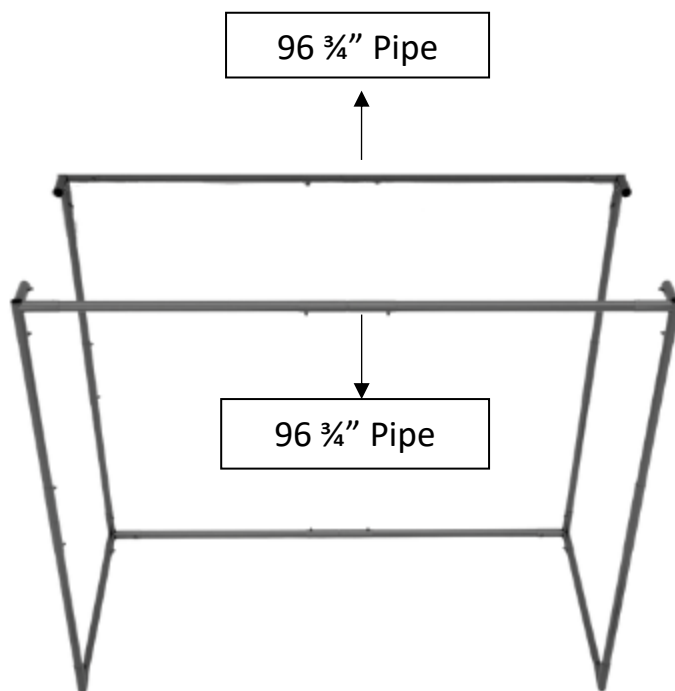
Connect the 3-way pieces at the top of all vertical pipes of the frame as shown in the image below



Frame Assembly

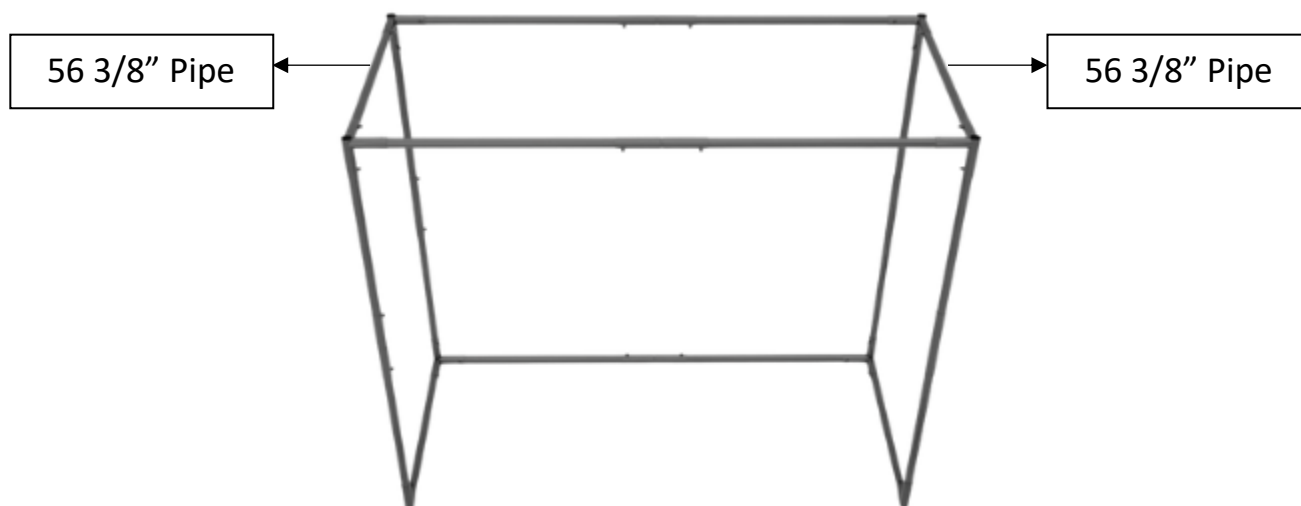
Step 6

Connect the two 96 3/4" Pipe to their respective 3-way connector on both sides of the frame (front and back).



Step 7

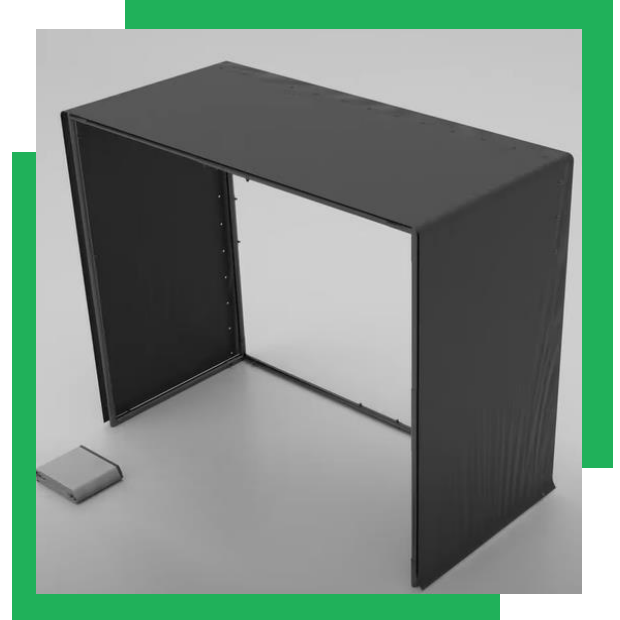
Then connect the 56 3/8" Pipe to the top left and right sides of the frame.



Enclosure Assembly

Step 1

Unfold the Nylon Enclosure cover. Place it over the top of the completed frame. The Nylon cover should be placed so that the grommeted edges are in the back of the frame and the Velcro strips are in the front.



Step 2

Attach flaps from Nylon enclosure to the Frame. The flaps are located at the bottom and top on the left and right sides of the frame.

There are also flaps that run up the front side of the frame and one that runs the length of the center Pipe.

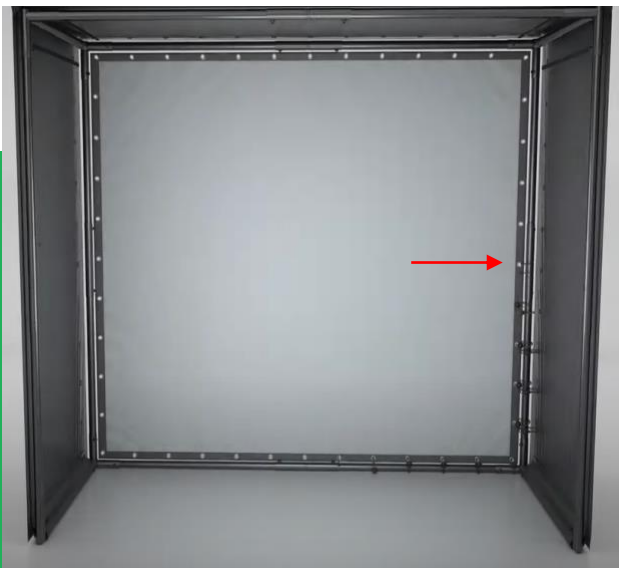


Enclosure Assembly

Step 3

Use bungees to attach the Nylon Surround to the back and top side of the frame.

Insert the loop side of the bungee into the grommet, sending it through until the ball side stops it, wrap the loop around the Pipe and attach it to the ball side of the bungee.



Step 4

Use bungees to attach the Impact Screen to the frame.

Using the same method as before, attach the Impact Screen to the top, bottom, left, and right sides of the frame.

Helpful Tip: Bungee the top left and right corners of the screen first so it is suspended, making it easier to attach all other bungees.

Note: Make sure the ball of the bungee is rotated away from the golfer.

Enclosure Assembly



Step 5

The Impact Screen comes equipped with flaps that will cover the remaining exposed pipe around the screen.

Attach the flaps to the Velcro strip located on the nylon surround.

Step 6

Secure the weighted bag attachment to the bottom of the screen.

The weighted bag pulls the bottom flap to the floor, covering the bottom pipe and creating a buffer for any golf balls that may strike that part of the frame.



Step 7

Attach the Side Barrier Netting to the left and right sides of the nylon enclosure.

The side barriers attach via Velcro, two sand bags are included that will need to be filled to keep the side barriers taut.

Impact Screen Care & Use

- If you feel that your screen is being stretched too tight, try removing bungees first. If it is still too tight adjust the Pipe in the canopy fittings.
- Keep enough space between the screen and any walls behind it to avoid contacting them. This distance will depend on the force of your swing, but in most cases 6-12" is sufficient.
- We recommend using new golf balls that are free from any scuffs or permanent markers to maximize the life of your screen.
- Clean your clubs and golf balls regularly to keep your screen clean, which will help extend the life of your impact screen.
- Remember that impact screens are “wearable” products, and depending on the individual user, they may start showing wear immediately after first use. This is normal. All of our impact screens, however, should withstand several thousands of strikes from even the best golfers.
- Always make sure your screen is completely clean and dry before storing to avoid spots, mold, or mildew.

WE WELCOME YOUR FEEDBACK!

Please feel free to contact us if you have any questions or comments about using your new products.

We can be reached on our website, via email, or by giving us a call at 972-848-7491. Please don't hesitate to let us know if there is anything we can do to help!

Visit:

<https://youtu.be/qbgvQHZHoAc> or

SCAN THE QR CODE TO VIEW A VIDEO ON HOW TO ASSEMBLE THE SIG8

