



Manufacturer of forged pistons

Custom Piston Order Form

Engine Make _____ Model _____
 Order Quantity of pistons _____
 Max RPM _____ Max HP _____
 Bore Size _____ Stroke _____
 Rod Length _____ Small end Width _____

Thickness above Pin _____
 Piston Guided Yes No
 Block Height _____
 Deck Clearance +/- _____
 Compression Distance _____
 Desired Compression Ratio _____

Cylinder Head :

Head Make & Model _____
 Valve Diameter: IN _____ EX _____
 Free Drop (If Known) IN _____ EX _____
 Was Cylinder Head Milled Yes No
 Flat Milled _____ Angle Milled _____

Camshaft Specs :

Gross Valve Lift : IN _____ EX _____
 Duration @ .050 : IN _____ EX _____
 Lobe Separation (°) _____
 Valve Lift @ TDC: IN _____ EX _____

Piston Type (If Known)

- Dome Flat Top Dish Inverted Dome
- Spherical Round 3D

Application :

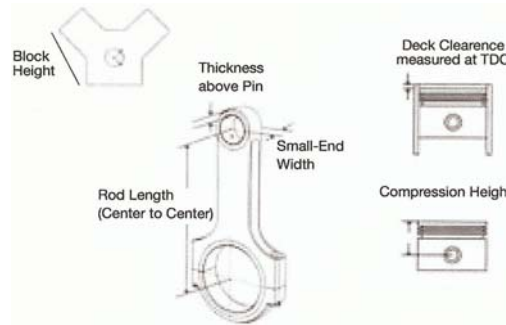
- Circle Track Dirt Pavement Drag Race
- Land Speed Marine Road Race
- Street/ Strip Pulling Mud Racing

Is Your Motor :

- Turbo : Lbs Boost _____ Blown _____
- Nitrous How Much 100 250 400 + Fuel
- Type Pump Gas Race Gas Alcohol Nitro

Wossner Pistons-USA
 15638 Graham St.
 Huntington Beach CA
 92649
 714-369-8547

Alex@woessner-usa.com
www.wossnerpistons.com



Pin Specs :

Pin Diameter _____ Length _____
 Wall Thickness _____ Qty _____
 Pins With Order Yes No
 Pin Fit Yes No

Wossner Pistons reserves the right to choose the appropriate pin length If supplying pins per each piston design.

Additional Notes For Order

Rings: With Order Yes No

Axil Height :
 Top _____ 2nd _____ Oil _____
 Radial Widths :
 Top _____ 2nd _____ Oil _____

Customer Information

Company _____
Contact Person _____
Address _____
State / Zip _____
Phone _____
Fax _____
E- Mail _____