

Maintenance manual



**American Airsoft Factory LLC.
396 S 1100 W Provo UT 84601**

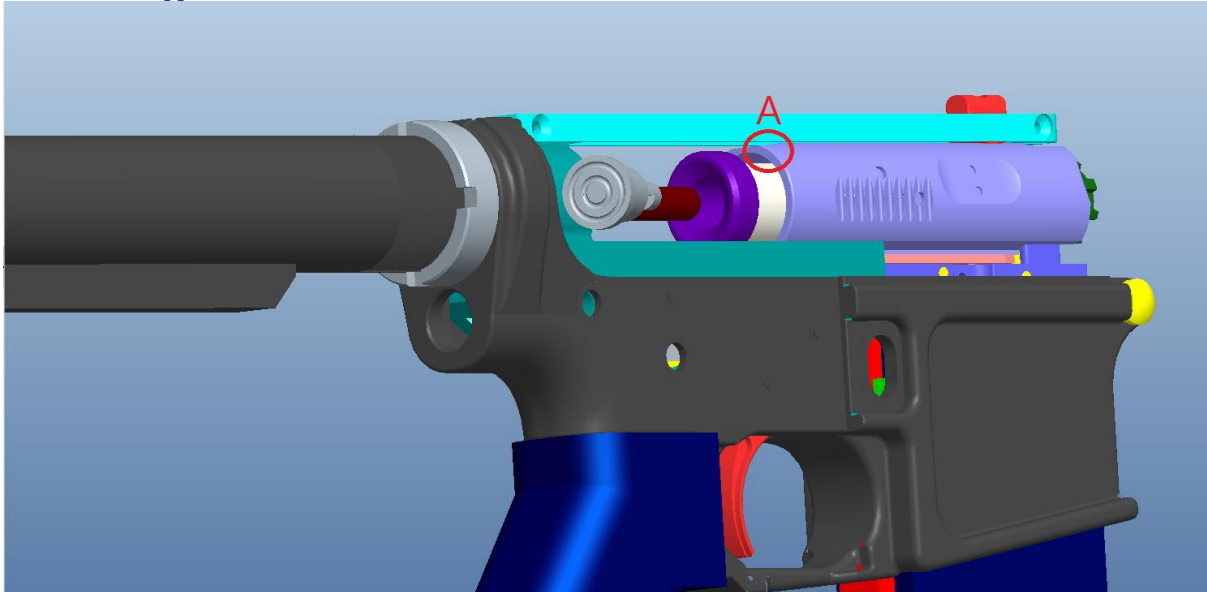
Experimental condition

Temperature	Altitude
77F / 25C	4551ft (Provo UT / Sea level)

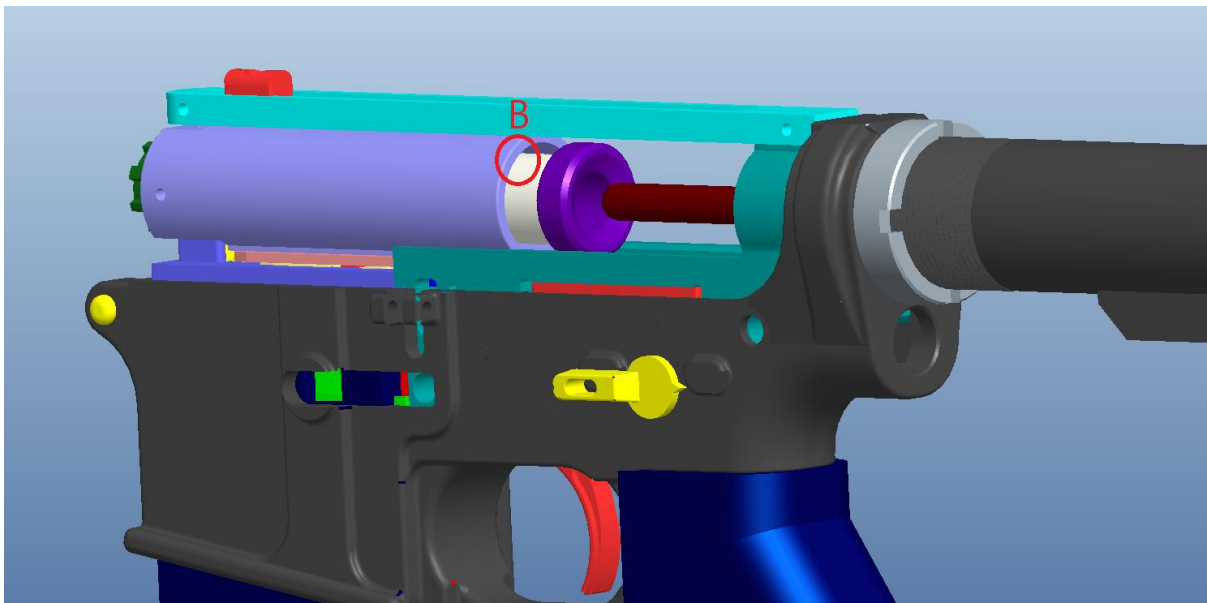
1. Maintenance

a. Oiling (Every 3,000 round shooting)

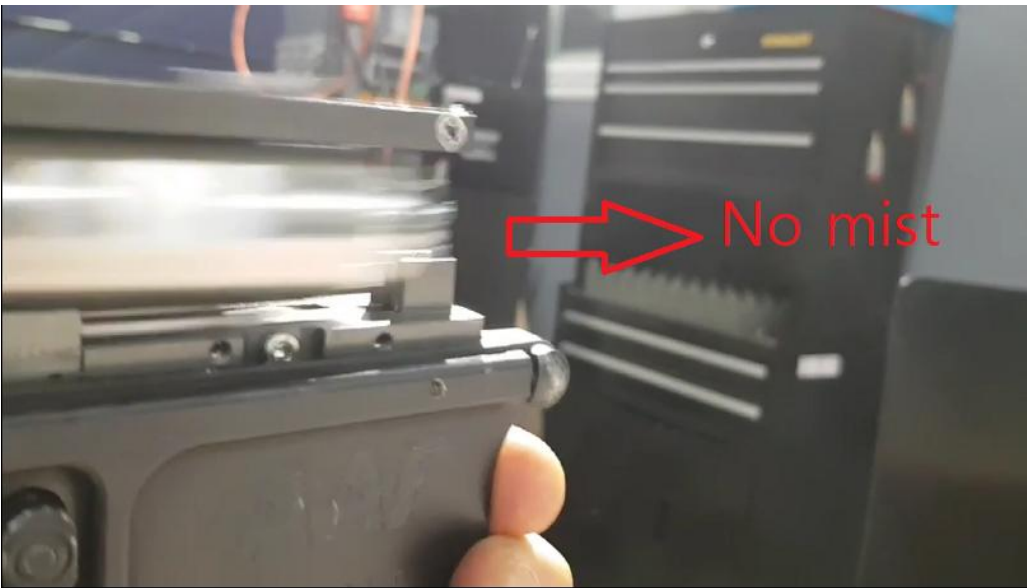
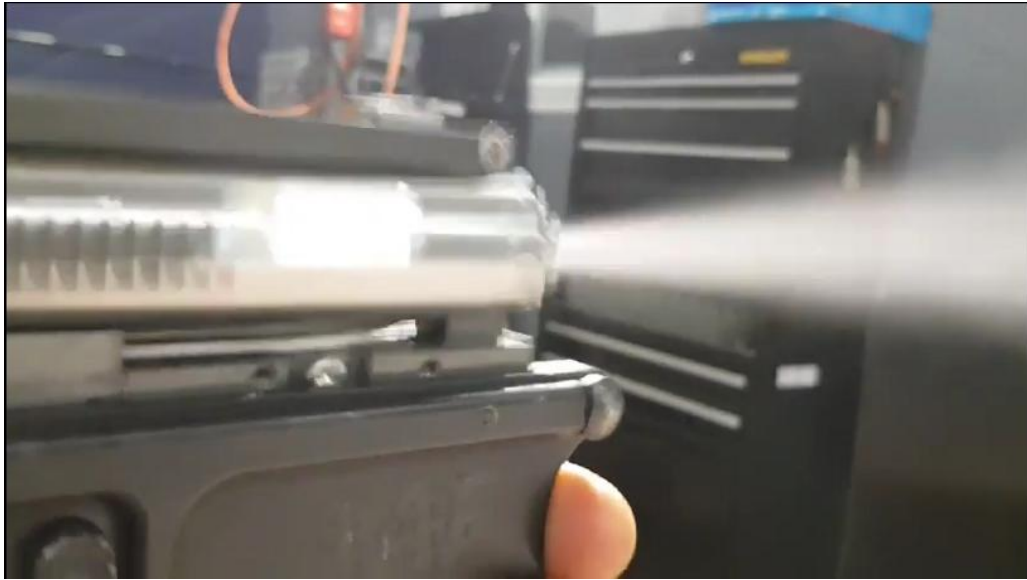
- ✓ Remove magazine from gun
- ✓ Selector safe
- ✓ Pull the trigger five times to remove the ammo in chamber and release piston
- ✓ Remove upper receiver unit.



- ✓ Spray oil for 1 second between cylinder and piston at the point A above figure.



- ✓ Spray oil for 1 second between cylinder and piston at the point B above figure.
- ✓ Selector Semi
- ✓ Shoot blank fire and You should see a mist of oil spray through the nozzle.



- ✓ Keep shooting until the mist no longer comes out.
- ✓ We strongly recommend CRC Heavy Duty Silicon Oil





1 of 3
<Picture of 3M silicon lubricant oil spray >

Secondly, you will be able to choose between two silicone oil sprays.

G&G Airsoft Spray Silicone Oil High Grade Lubrication for Maintenance

[Be the first to review it](#)

\$10.00 Guaranteed Lowest
~~\$11.99~~ RETAIL PRICE



- b. Cleaning inner barrel ((Every 3,000 round shooting / When the ballistic becomes unstable)
- ✓ Remove magazine from gun
 - ✓ Selector safe
 - ✓ Pull the trigger five times to remove the ammo in chamber and release piston



- ✓ Use a nylon brush (for 6 mm pipe).
- ✓ Insert the brush until it touches the nozzle and pull it out completely. This task is enough to run once.
- ✓ Be sure to use a nylon brush. The inner barrel is made of stainless 304.

