

PAD32 Series

# Anti-Theft Tablet Mounting Solutions

With lockable enclosure and high-quality steel construction, LUMI's PAD32 Series is a secure, stylish and affordable choice for using popular iPad, iPad Pro, iPad Air and Samsung® Galaxy Tab A devices in high traffic areas such as retail, offices, trade shows, hospitality to display information or advertise.



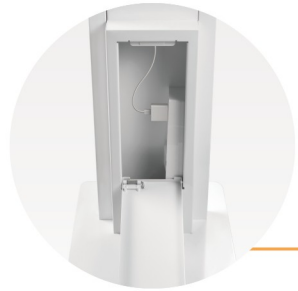


# PAD32 Series Freestanding Tablet Kiosks



## Lockable Anti-Theft Design

additional security for your property



## Lockable Lower Cabinet Space

for power strips, cables and other accessories (Power strip is not included)

## Cable Management

for a clean appearance and safety

## EVA Foam Pads

protect devices from scratches and marring

## Portrait or Landscape Mounting

for different applications



## Front Panel Area

for custom branding/graphics

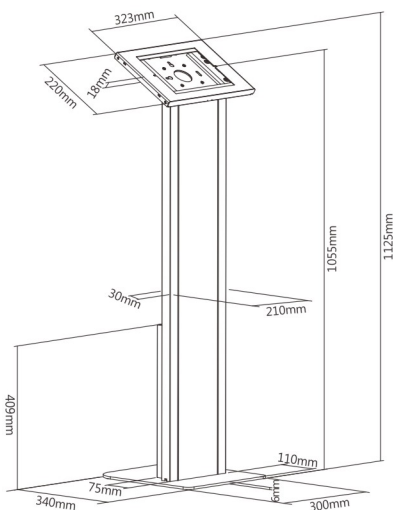
## Fits Multiple Tablets

(for PAD32-01/01B/05 only)



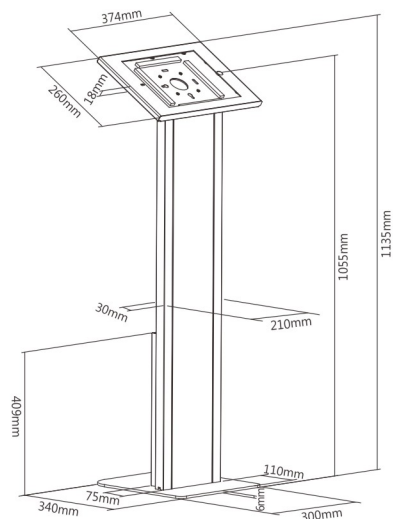
### PAD32-01

For 9.7" & 10.2" iPad, 10.5" iPad Air (Gen 3), 10.5" iPad Pro, 10.1" Samsung Galaxy Tab A (2019)



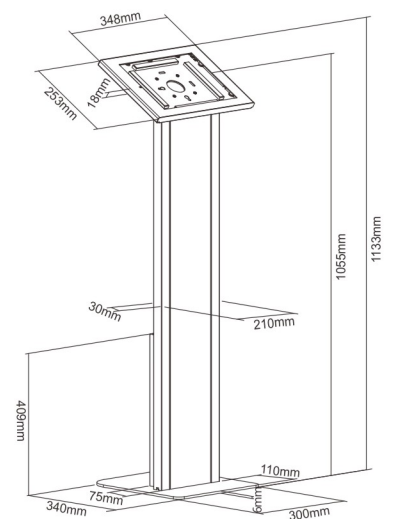
### PAD32-02

For 12.9" iPad Pro (Gen 2)



### PAD32-03

For 12.9" iPad Pro (Gen 3)



Colors:

# PAD32 Series

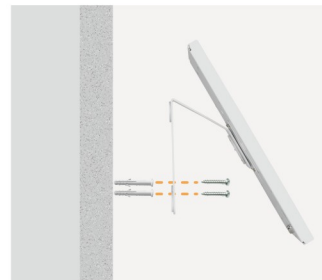
## Tablet Wall Mount Enclosure/Countertop Kiosk



**Easily Attach to the Wall**  
for quick installation



**VESA 75x75 Compatible**  
for different applications



**Wall Mount Kits Included**  
for different applications



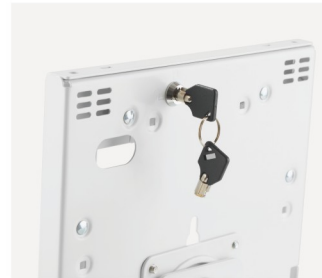
**Landscape or Portrait Orientation**  
adapts to different contents



**Lockable Anti-Theft Design**  
for additional security



**Cable Management**  
keeps wiring organized



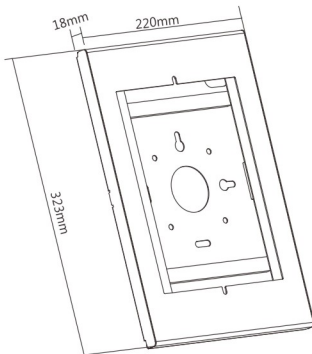
**Lockable Anti-Theft Design**  
for additional security



**Cable Management**  
keeps wiring organized

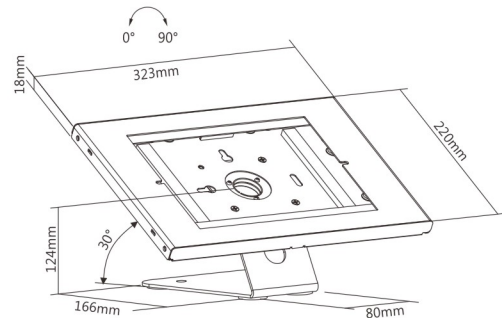
### PAD32-01B

For 9.7" & 10.2" iPad, 10.5" iPad Air (Gen 3), 10.5" iPad Pro, 10.1" Samsung Galaxy Tab A (2019)



### PAD32-05

For 9.7" & 10.2" iPad, 10.5" iPad Air (Gen 3), 10.5" iPad Pro, 10.1" Samsung Galaxy Tab A (2019)



Colors:  

**Trademark Notice:** Unless otherwise indicated, products and/or accessories shown in conjunction with LUMI products displayed in this publication are not included. All company, product and service names used in this publication are for identification purposes only. Logos or Trademarks shown belong to their respected owners.