

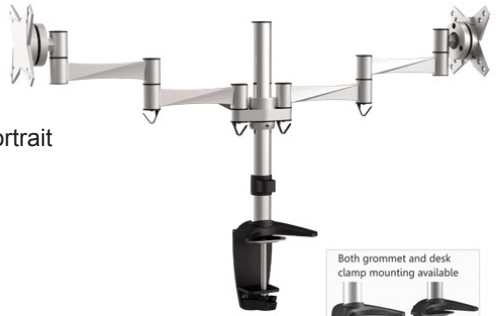
Brateck

BRACKET TECHNOLOGY

13" - 27" LCD Dual Screen Desk Stand LCD-LDT02-C024

FEATURES

- 13" - 27" dual LCD desk stand
- Arm Reach: 858mm
- Tilt: $\pm 15^\circ$, Rotate: 360° landscape to portrait
- Max. VESA: 75x75/100x100
- Load capacity: 8kgs per VESA plate



Both grommet and desk
clamp mounting available

16kgs

