

Industrial Unmanaged FE Switch



IFS-500C

5x 10/100Base-TX Fast Ethernet Switch (Compact)

This model is a compact sized, non-managed industrial grade Fast Ethernet switch with 5 10/100Base-TX ports that provide stable and reliable Ethernet transmission. Housed in rugged DIN rail or wall mountable enclosures, these switches are designed for harsh environments, such as industrial networking, intelligent transportation systems (ITS) and are also suitable for many military and utility market applications where environmental conditions exceed commercial product specifications. Standard operating temperature range models (-10 to 60°C) and wide operating temperature range models (-40 to 75°C) fulfill the special needs of industrial automation applications.

Feature

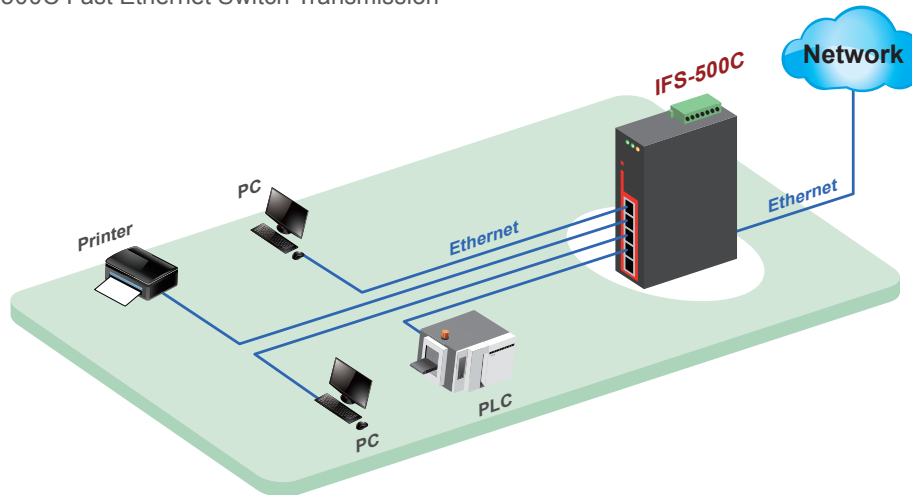
- Wide range input power 12/24/48VDC (9.6~60VDC), or AC24V (18~36VAC)
- IP30 rugged metal housing and Fanless
- Compact size for easy installation
- Wide operating temperature -40 ~ 75°C (-E model)
- Provides broadcast storm protection
- Very low power consumption
- Supports flow control
- CE, FCC, and EN50121-4 for railway traffic certification
- Industrial grade EMS, EMI, EN61000-6-2, EN61000-6-4 certified

Specifications

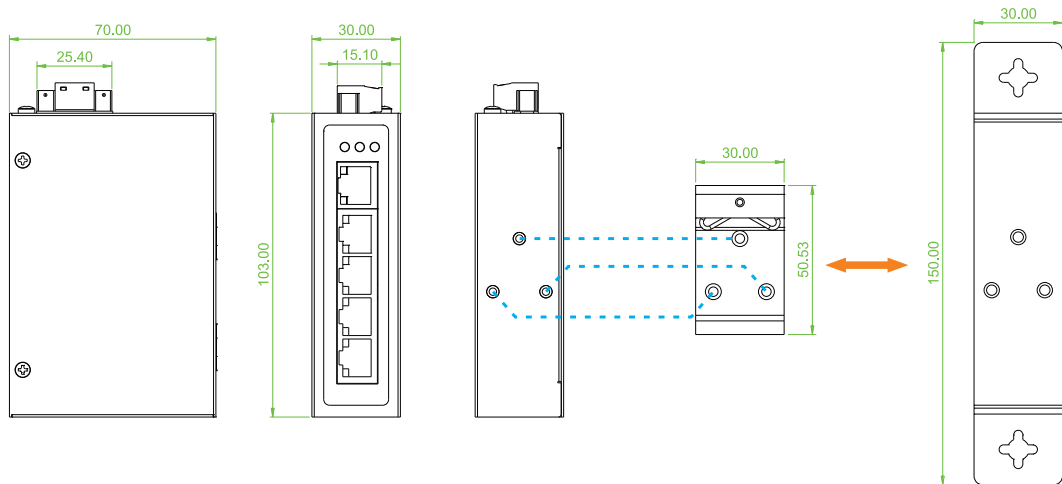
IEEE Standard	IEEE 802.3 10Base-T Ethernet IEEE 802.3u 100Base-TX and 100Base-FX Fast Ethernet IEEE 802.3x Flow Control and Back Pressure	Operating Humidity	5% to 95% (Non-condensing)								
Switch Architecture	Back-plane (Switching Fabric) : 1.0 Gbps Full wire-speed	Storage Temperature	-40 ~ 85°C								
Data Processing	Store and Forward	Housing	Rugged Metal, IP30 Protection and FanLess								
Transfer Rate	14,880pps for Ethernet port 148,800pps for Fast Ethernet port	Dimensions	70 x 30 x 103 mm (D x W x H)								
Flow Control	IEEE 802.3x flow control, back pressure flow control	Weight	220g								
Provides Broadcast Storm Protection	Present	Installation Mounting	DIN Rail mounting, or wall mounting (optional)								
MAC Address Table	1K	MTBF	1,013,759 Hours (MIL-HDBK-217)								
Packet Buffer Size	448Kbits	Warranty	5 years								
Network Connector	5x RJ-45 RJ-45 Port: Auto MDI/MDI-X function, 10/100Base-TX auto negotiation speed, Full/Half duplex	Certification									
Network Cable	10Base-T: 2-pair UTP/STP Cat. 5 cable EIA/TIA-568 100-ohm (100m) 100Base-TX: 2-pair UTP/STP Cat. 5 cable EIA/TIA-568 100-ohm (100m)	EMC/EMS	CE								
Protocol	CSMA/CD	EMI (Electromagnetic Interference)	FCC Part 15 Subpart B Class A, CE EN55022 Class A								
LED	Per unit: Power (Green) RJ-45 Per port: Link/Active (Green), Speed 100 (Yellow)	Railway Traffic	EN50121-4								
Reverse Polarity Protection	For DC input power protection	Immunity for Heavy Industrial Environment	EN61000-6-2								
Overload Current Protection	Present	Emission for Heavy Industrial Environment	EN61000-6-4								
Power Supply	DC 12/24/48V (9.6~60VDC) or AC 24V (18~36VAC) input power (Removable Terminal Block)	EMS	EN61000-4-2 (ESD) Level 3, Criteria B EN61000-4-3 (RS) Level 3, Criteria A EN61000-4-4 (Burst) Level 3, Criteria A EN61000-4-5 (Surge) Level 3, Criteria B EN61000-4-6 (CS) Level 3, Criteria A EN61000-4-8 (PFMF, Magnetic Field) Field Strength: 300A/m, Criteria A								
Power Consumption	<table border="1"> <thead> <tr> <th>Input Voltage</th> <th>Power Consumption(Watt)</th> </tr> </thead> <tbody> <tr> <td>DC 12V</td> <td>0.9W</td> </tr> <tr> <td>DC 24V</td> <td>1.2W</td> </tr> <tr> <td>DC 48V</td> <td>2W</td> </tr> </tbody> </table>	Input Voltage	Power Consumption(Watt)	DC 12V	0.9W	DC 24V	1.2W	DC 48V	2W	Shock	IEC 60068-2-27
Input Voltage	Power Consumption(Watt)										
DC 12V	0.9W										
DC 24V	1.2W										
DC 48V	2W										
Removable Terminal Block	Provides for input power (2 Pin)	Freefall	IEC 60068-2-32								
Operating Temperature	-10 ~ 60°C (IFS-500C) -40 ~ 75°C (IFS-500C-E)	Vibration	IEC 60068-2-6								

Application

► Figure : IFS-500C Fast Ethernet Switch Transmission



Dimensions



Side View

Front View

Rear View

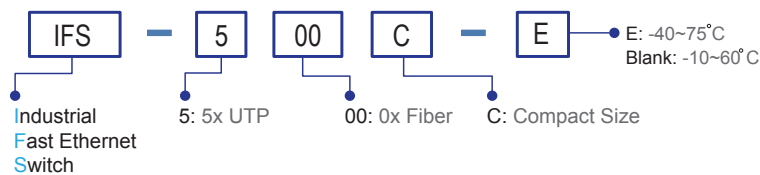
DIN-Rail Kit View

Wall-Mount Kit View
(Optional Accessory)

Ordering Information

Model Name	Total Port	UTTP Port		Certification			Operating Temperature	
		10/100Base-TX		Railway EN50121-4	EN61000-6-2 EN61000-6-4	CE		FCC
IFS-500C	5	5		V	V	V	V	-10~60°C
IFS-500C-E	5	5		V	V	V	V	-40~75°C

Model Naming Rule



Optional Accessories

Industrial Power Supply

DR-4524	Industrial Power, Input 85 ~ 264VAC, Output 24VDC, 48W, -10 ~ +50°C
MDR-40-24	Industrial Power, Input 85 ~ 264VAC, Output 24VDC, 40W, -20 ~ +70°C
IND-WMK03	Wall Mount kit for Industrial product (Compact, 150x 30mm)

Package List

- IFC-500C device
- Quickly installation guide
- Din Rail with screws
- Terminal block