

## DWS19 Series

# Electric Height Adjustable Standing Desk Converters

Using a post and base structure that sits on desktop with no clamping or mounting required, the DWS19 Series offers a perfect solution for a sit-stand workstation without replacing the whole desk. Quickly switch between seated height and standing height with the touch of a button.

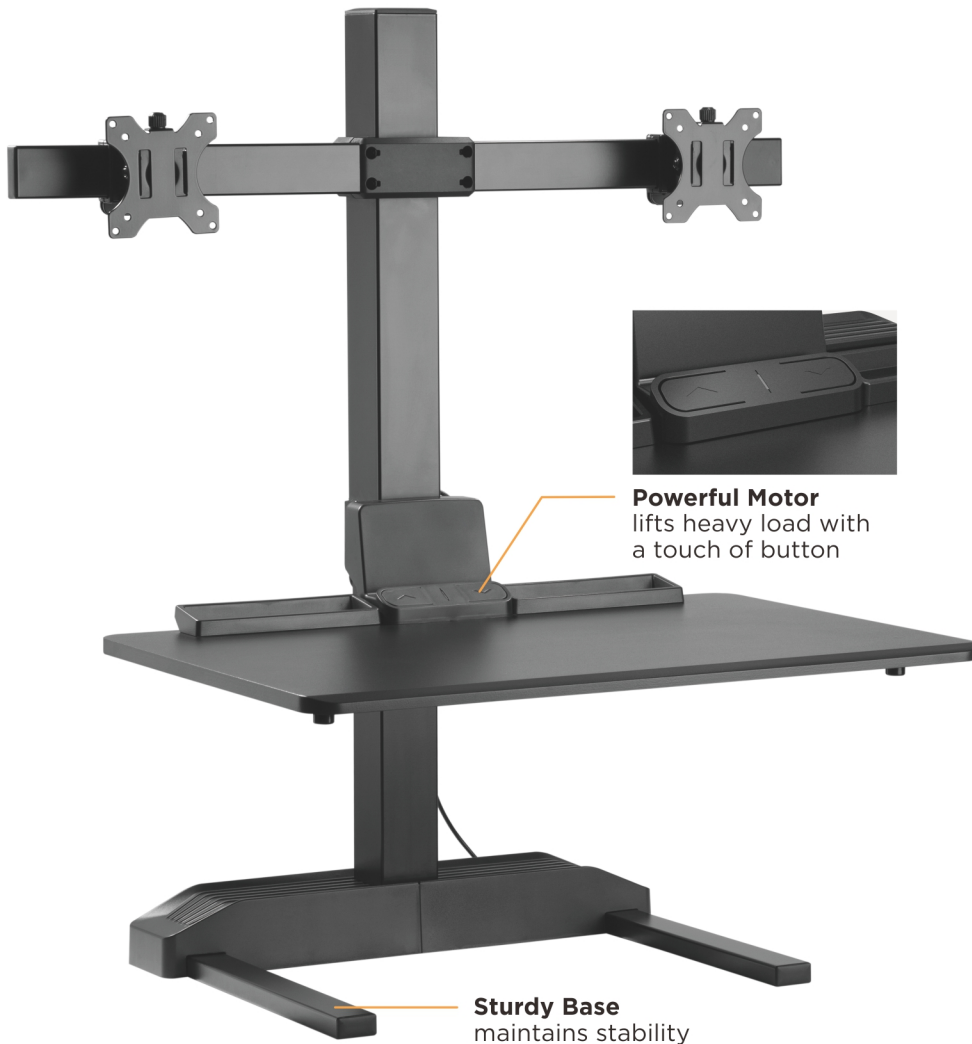


DWS19-T01  
Overview Video



# DWS19 Series

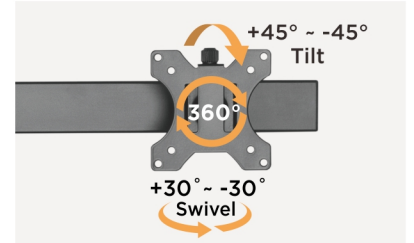
## Electric Height Adjustable Standing Desk Converters



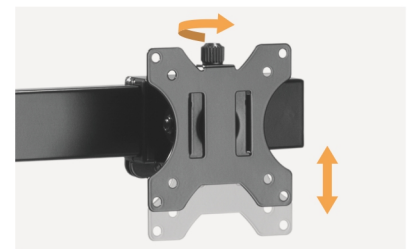
**Powerful Motor**  
lifts heavy load with  
a touch of button

**Sturdy Base**  
maintains stability

### Versatile VESA Plate



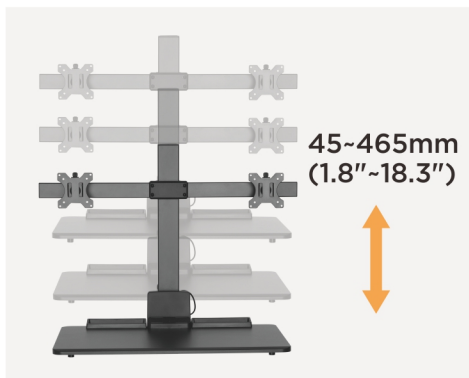
**Swivel, Rotation and Tilt Design**  
satisfies better viewing angles



**Fine-Tuned Knob**  
for dual monitors perfectly aligned



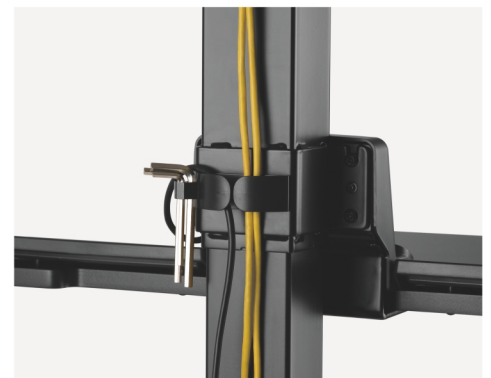
**Detachable Design**  
for easy and quick installation



**One-Fit-All**  
large height adjustable range  
accommodates different sizes



**Desktop Organizer**  
offers an extra storage



**Cable Management**  
keeps everything organized

