

DWS15 Series

Electric X-Lift Tabletop Workstation

There is no better choice than the DWS15 Series when it comes to effortless transition between sitting and standing – with only a touch of the button. It can be placed to any worksurface and turns your normal desk into an ergonomic sit-stand desk.



DWS15 Series
Overview Video

DWS15 Series

Electric X-Lift Tabletop Workstation

LUMI
ergo



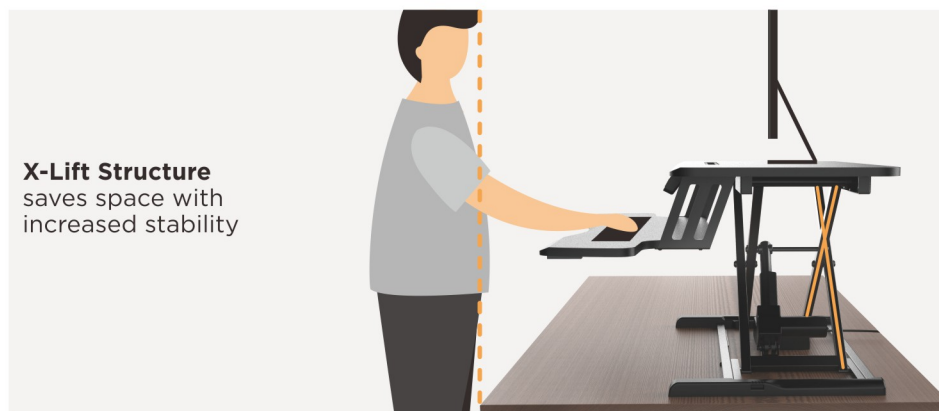
Two-Tier Design

maintains keyboard and display placement whether sitting and standing

Conveniently Located Controller

Support Brackets

for increased stability when typing

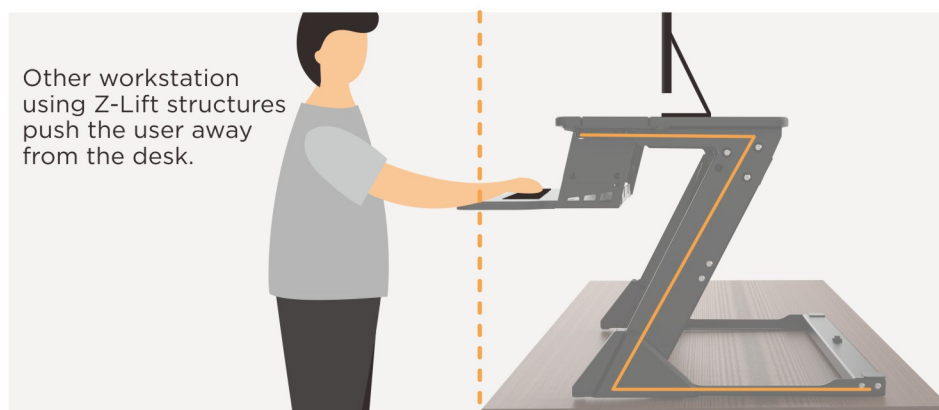


X-Lift Structure
saves space with
increased stability



Extra Storage Slot

easily access to phone, tablet and
other most-used devices



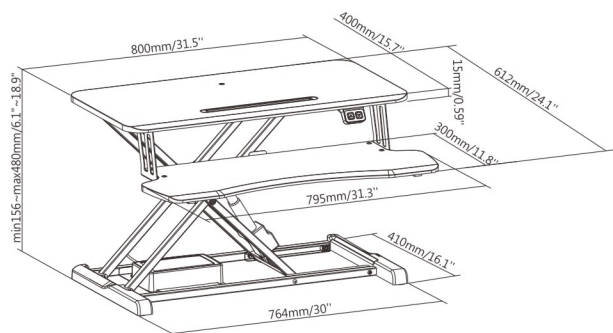
Other workstation
using Z-Lift structures
push the user away
from the desk.

DWS15 Series

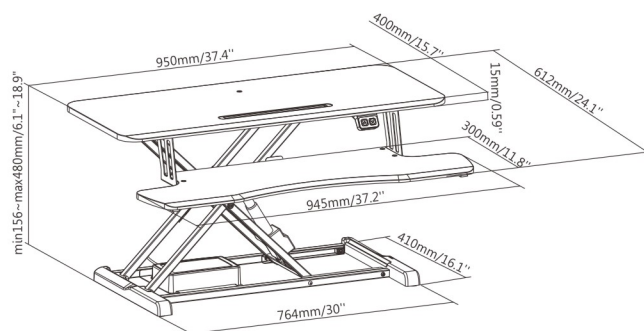
Electric X-Lift Tabletop Workstation



DWS15-01 Compact Surface



DWS15-02 Standard Surface



Item No.	DWS15-01	DWS15-02
Worksurface Size(LxW)	800x400mm(31.5"x15.7")	950x400mm(37.4"x15.7")
Worksurface Thickness	15mm	15mm
Worksurface Weight Capacity	20kg/44lbs	20kg/44lbs
Height Range	156-480mm(6.1"-18.9")	156-480mm(6.1"-18.9")
Power Input	100-240V	100-240V
Material	MDF & PVC, Steel	MDF & PVC, Steel