

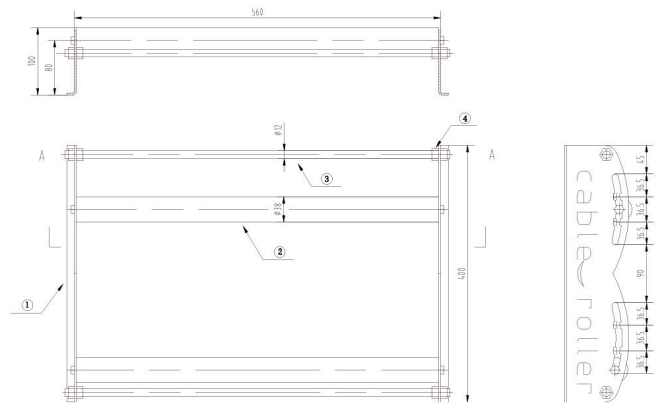
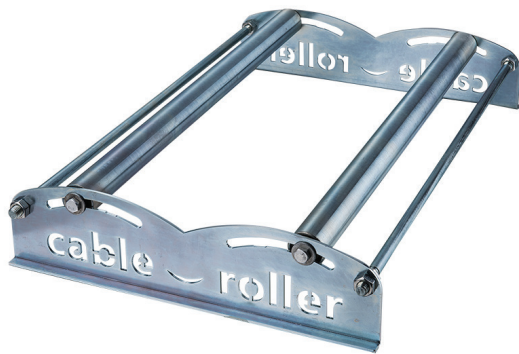
CABLE ROLLER

DESCRIPTION

DYNAMIX Cable Roller is a versatile piece of equipment suitable for use in most cable laying applications, the cable roller is an almost-essential accessory when installing SWA Cable. Its sturdy and rugged design help it withstand large cable sizes and weights. Also, because of its compact design, it is suitable for use in small and/or enclosed areas such as narrow trenches and within cable trays.

FEATURES

- Variable size cable drum holder
- Heavy duty construction
- Zinc plated steel







PRODUCT CODE	DESCRIPTION	COLOUR
DCP1043	DYNAMIX Cable Roller, for 102mm-600mm Cable Drum	Metal

SPECIFICATIONS

Diameter	102mm-600mm cable drum
Dimensions WxDxH	600x400x100mm
Max Load	100kg
Max Width	540mm

ALSO AVAILABLE:

<p>FP-C6S-011</p>  <p>DYNAMIX Cat6 Shielded Keystone Jack Termination 110/ Krone</p>	<p>FP-C6-180BK</p>  <p>DYNAMIX Cat6 180 Unshielded Keystone Jack, Dual IDC</p>	<p>IPR-C6J</p>  <p>DYNAMIX IP67 Rated Cat6 Shielded Keystone Jack With Dust Cap</p>	<p>CT-RAP180V3</p>  <p>DYNAMIX Termination Tool for FP-C6-180XX and FP-C6A-180XX Keystone Jack Series</p>
--	--	--	---

Please note we took the up-most care to compile the information in this datasheet. To the best of our knowledge all info provided were correct at the time of creation. Should any specs change we try to update info accordingly. Information are subject to change without notice. In the case that you find any irregularity please inform our team at contactus@dynamix.co.nz
 Last updated: 19 July 2019