

Convert Your
Manual Flush Valves
To Sensor-Operated
Hands-Free Flushing
With The Zurn E-Z Flush®



E-Z Flush Retrofit Kits

The Zurn AquaSense® E-Z Flush® is the most installer-friendly flush valve retrofit kit on the market today. Not only does E-Z Flush allow you the fastest and easiest changeover, but E-Z Flush gives you the tools, batteries and adaptors to start and complete the job. Unlike other kits that limit themselves to the number of manufacturers and models they can retrofit, E-Z Flush's unique handle port mounting feature makes E-Z Flush the most versatile flush valve retrofit available today.



Once installed, E-Z Flush provides trouble-free automatic flushing for both the building owner and the user.

E-Z Flush Sensors Fit All
Sloan Royal® and Sloan Regal® Manual Flush Valves



Adjustable Sensor Range and Features.

E-Z Flush is adjustable and flexible. Our sensor range is adjustable for various installation applications and with the use of our high mount adapter kit, tall flush valve rough-ins can be angled to fit the users requirements. E-Z Flush is also supplied with a courtesy flush button for manual operation when desired.



E-Z Flush Unit Is Easy To Retrofit.

E-Z Flush is easy to install. Simply loosen the existing handle nut and remove the handle. With the collar gasket in place, slide E-Z Flush onto the flush valve and tighten the handle nut. There is no need to gain access to the inside of the flush valve, E-Z Flush retrofits with the existing flush valve internal kit. Install the supplied "C" batteries and you are done. From manual to sensor in less than 3 minutes.



E-Z Flush Comes Completely Packaged.

E-Z Flush furnishes everything you need for a quick, no-hassle retrofit. The exterior carton is self-explanatory as to unit model and features. The inside packaging contains your E-Z Flush unit, four "C" cell batteries, battery compartment wrench, handle nut gasket, and handle nut wrench. Enclosed instruction booklet contains installation instructions in both English and Spanish.



E-Z Flush Sensors Fit All Sloan Crown® Manual Flush Valves



E-Z Flush Sensors Fit All Sloan GEM® Manual Flush Valves By Ordering Your E-Z Flush With The Suffix -GM



Urinal Or Closet Mounted Operation.

The Zurn E-Z Flush is factory pre-set for urinal and water closet applications. When the user's presence is detected, the user-in-view L.E.D. lets one know they are in the sensor's viewing range (minimum 8 seconds). Once the user leaves, the E-Z Flush automatically flushes the fixture.



E-Z Flush Benefits

- Increased Sanitation
- User Friendly
- Water Savings
- Hands-Free Operation
- Eliminates Odors and Unflushed Fixtures
- Reduced Flush Valve Maintenance
- Improves Building Presentation
- Modern Appearance

E-Z Flush Features

- Best Working Battery Sensor Retrofit Unit on the Market for Harsh Water Conditions
- Adjustable Infrared Sensing
- Sensor and Motor Components Do Not Contact Water
- User-In-View L.E.D.
- Ease of Installation
- Low Battery Light
- Impact-Resistant Covers with Angled Face
- Replaceable Glass Lens
- Courtesy Flush Button
- High Mount Adaptor for Tall Rough-Ins
- Standard "C" Batteries
- Choice of Two Units (see page 6)
- Three+ Years Battery Life
- Retrofit to Zurn, Sloan and Delany (Order Suffix -LY)
- 24 Hour Auto Flush Option

E-Z Flush Sensors Fit All Delany Flush Boy® Manual Flush Valves By Ordering Your E-Z Flush With The Suffix -LY

E-Z Flush Sensors Fit All Wal-Tec® Manual Flush Valves By Ordering Your E-Z Flush With The Suffix -CB



Zurn E-Z Flush is the most installer-friendly retrofit kit on the market today. The new angled face allows for user detection even with the seat in the raised position.

E-Z Flush Sensors Convert
Manual Flush Valves To Automatic Flush Valves.
E-Z Flush Sensors Fit All Zurn AquaVantage® Aquaflush® and Metroflush® Flush Valves.





ZURN INDUSTRIES, LLC

COMMERCIAL BRASS OPERATION

5900 ELWIN BUCHANAN DRIVE • SANFORD, NC, U.S.A. 27330

PHONE: 855-ONE ZURN (855-663-98760) • FAX: 919-775-3541

www.zurn.com

Outside the U.S.A. and Canada:

ZURN INDUSTRIES, INC.

INTERNATIONAL PLUMBING PRODUCTS GROUP

1801 PITTSBURGH AVENUE • ERIE, PA, U.S.A. 16502

PHONE: 814-455-0921 • FAX: 814-875-1240

E-MAIL: zumintl@zurn.com

Two E-Z Flush Models To Choose From By Zurn Industries, Inc.



ZERK-CP

E-Z Flush with chrome plated high-impact resistant cover.



ZERK-CPM

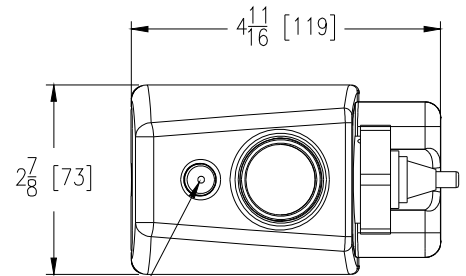
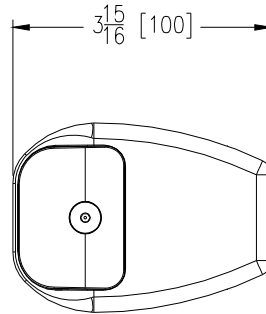
E-Z Flush with vandal-resistant chrome metal cover.

For more information on Zurn Sensor Flush Valves, faucets and hand dryers, call 855-ONE-ZURN.



ZERK-CPM

Sensor Operated Battery Powered Retrofit Kit for Water Closet and Urinal Flush Valves



OVERRIDE BUTTON



Accessories

- CB Cambridge Brass Retro Fit
- GM Sloan/Gem Retro Fit
- HMK Highmount Adapter
- LY Delaney Valve Retro Fit
- MC Metroflush/Crown Valve Retro Fit
- _____ Other

ENGINEERING SPECIFICATIONS

AquaSense® E-Z Flush Unit designed to provide automatic flushing for urinals and/or water closet flush valves.

- Chrome Plated Metal Cover
- Sensor
 - Infrared
 - User in-view L.E.D
 - Low battery indicator light
 - 24 hour auto-flush setting
 - 3 second delay flush
- Override Button
- 6 VDC Motor Actuator
 - Ultra energy efficient electronics
 - 4 "C" size batteries (Included)
- ADA Compliant
- Included tools
 - Wrench for installation
 - Allen key for battery compartment

Architectural/Engineering Approval

The information contained in this document is subject to change without notice.
Please contact Zurn for most up to date information.

ZURN INDUSTRIES, LLC. ♦ COMMERCIAL BRASS OPERATION
5900 ELWIN BUCHANAN DRIVE ♦ SANFORD NC 27330
PHONE: 1-800-997-3876 ♦ FAX: 919-775-3541
WWW.ZURN.COM
IN CANADA: ZURN INDUSTRIES LIMITED
3544 NASHUA DRIVE ♦ MISSISSAUGA, ONTARIO L4V1L2
PHONE: 905-405-8272 FAX: 905-405-1292



EZ Flush

Automatic Sensor Retrofit Kit For Urinals and Toilets

ZERK-CP Chrome-Plated Cover

ZERK-CPM Chrome-Plated Metal Cover



INSTALLATION INSTRUCTIONS

⚠ WARNING: Cancer and Reproductive Harm - www.P65Warnings.ca.gov

⚠ ADVERTENCIA: Cáncer y daño reproductivo - www.P65Warnings.ca.gov

⚠ AVERTISSEMENT: Cancer et effets néfastes sur la reproduction - www.P65Warnings.ca.gov

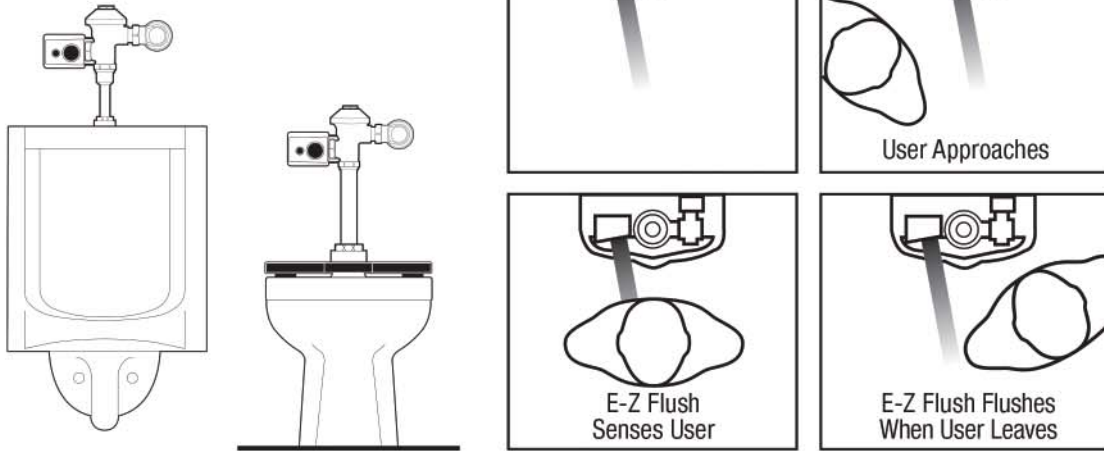
Zurn Industries, LLC
511 W. Freshwater Way, Milwaukee, WI U.S.A. 53204 · Ph. 1-855-ONE-ZURN, Fax 919-775-3541

In Canada | Zurn Industries Limited
7900 Goreway Drive Unit 10, Brampton, Ontario L6T5W6 · Ph. 905-405-8272, Fax 905-405-1292

www.zurn.com

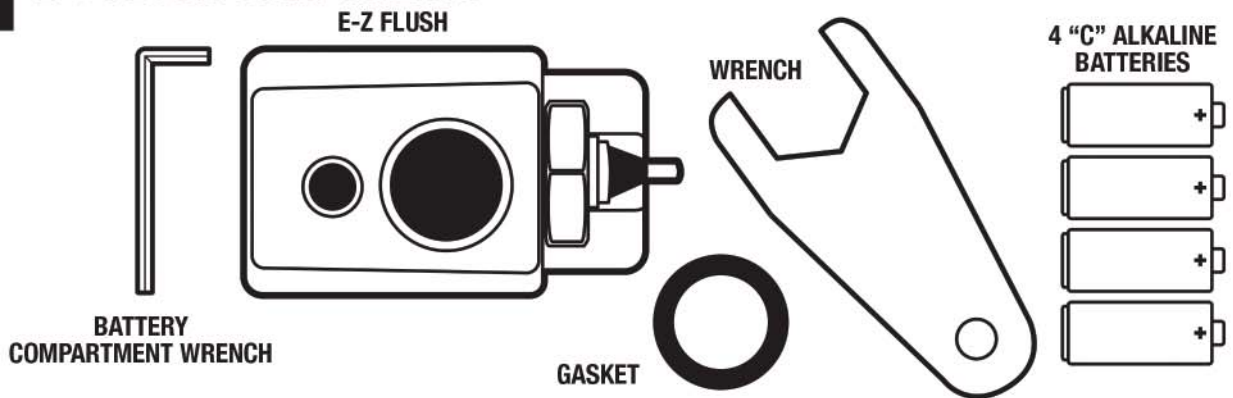
Rev. B
Date: 10/30/2018
C.N. No. SAN008373
Prod. | Dwg. No. FV2001

1 DESCRIPTION



The E-Z Flush™ sends out a continuous infrared beam that is reflected back by the presence of a person in front of the urinal or toilet. The technology differentiates between someone walking past the unit or actually using the fixture. E-Z Flush models ZERK-CP and ZERK-CPM retrofit Zurn and Sloan valves. For Delaney valves, order model ZERK-CP-LY or ZERK-CPM-LY.

2 E-Z FLUSH COMPONENTS



3 INSTALLATION

Shut off water supply at stop.

A – Using the supplied wrench, loosen handle nut.

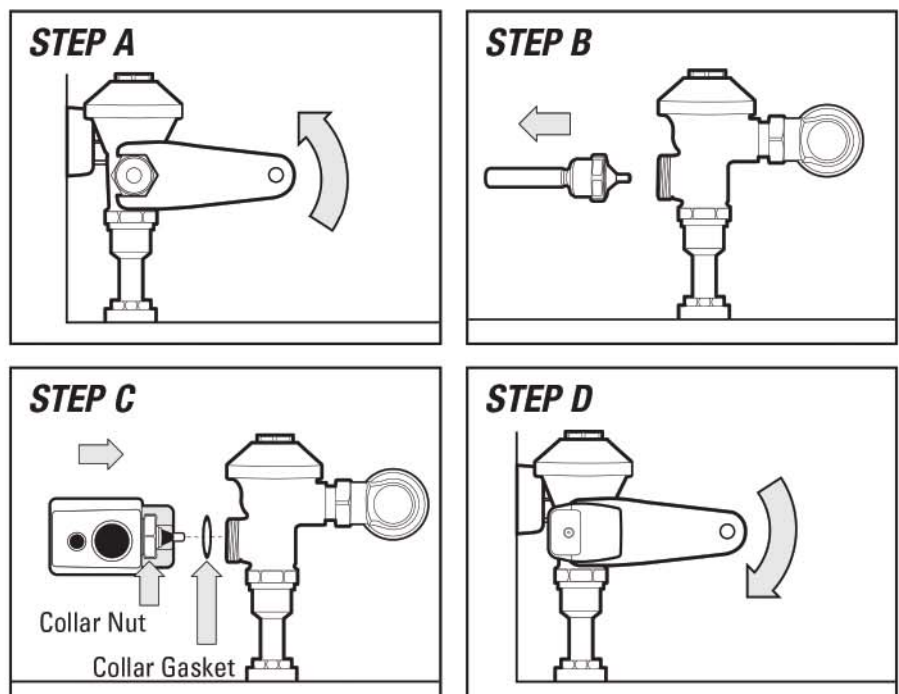
B – Remove handle from flush valve.

Note: A small amount of water may drip from the port.

C – Place gasket into nut and attach the E-Z Flush unit where the handle was removed.

D – Tighten nut with supplied wrench.

Note: Save handle in the event you wish to reuse for service of E-Z Flush.



4 ACTIVATION



Using supplied battery compartment wrench, remove battery compartment from the E-Z Flush™ unit.

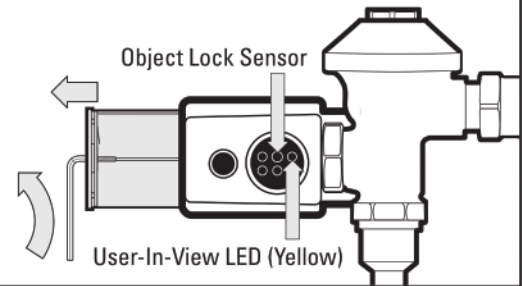
Load batteries into compartment tray (note position of batteries in tray), and reinstall battery tray into the E-Z Flush unit.

Secure tray with battery compartment wrench. The last three turns of the wrench will activate the E-Z Flush unit. The E-Z Flush System is now operational.

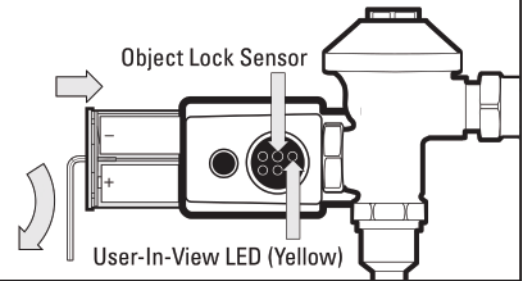
Your E-Z Flush unit comes preset from the factory. If special circumstances require adjustment of the activation distance, see Step 7 – “To Change Sensor Activation Distance.”

The E-Z Flush unit has a 10-minute start-up sequence in which the sensor will flash the User-In-View **yellow L.E.D.** continuously as long as a user is in view. After the start-up sequence is completed and when the sensor has a user in view, the User-In-View **yellow L.E.D.** will flash only 3 times after a 5-second delay. This delay prevents needless flushes when someone walks by.

Remove Battery Compartment



Install Battery Compartment



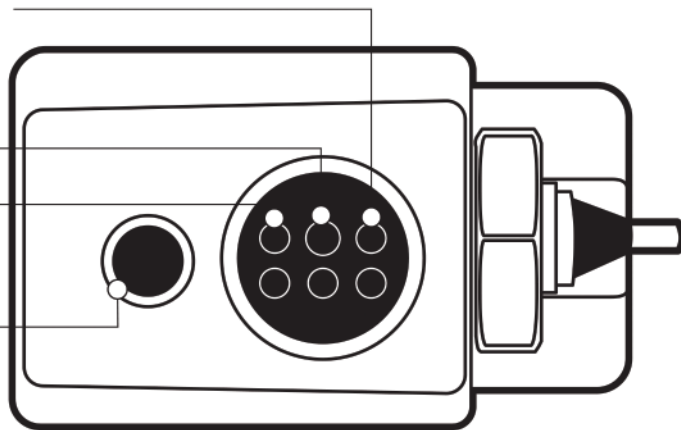
5 VISUAL INDICATOR GUIDE

USER-IN-VIEW L.E.D. Yellow light flashes 3 times – after 5-second delay – when a user is in view. The yellow light flashes constantly when a user is in view during the 10-minute start-up sequence.

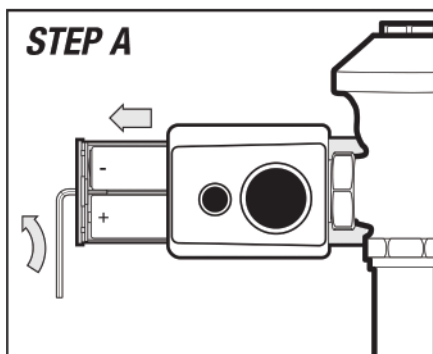
SENSOR

BATTERY L.E.D. Red light flashes indicating it is time to replace batteries with 4 new “C” batteries.

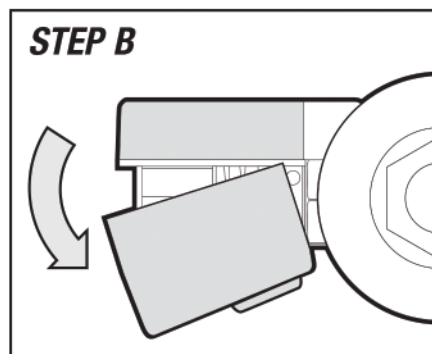
COURTESY MANUAL FLUSH BUTTON Allows manual activation of flush when needed.



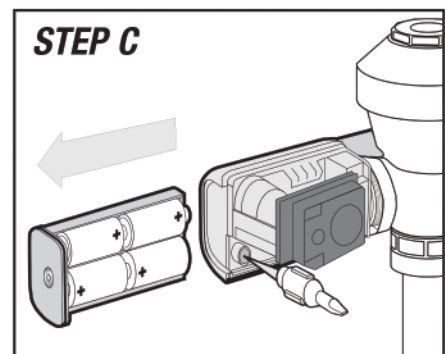
6 ADJUSTING YOUR E-Z FLUSH



Use battery compartment wrench to remove battery compartment tray.



Pull cover off by rotating battery side forward and out.

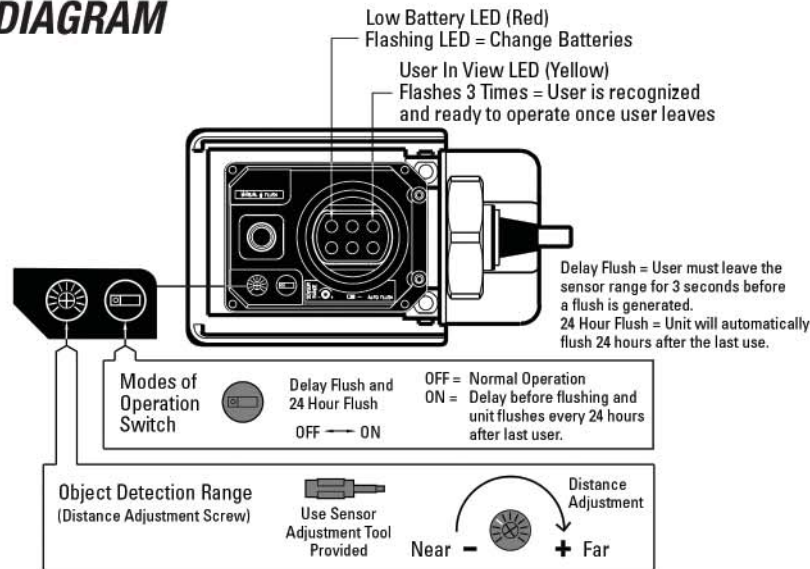


Sensor Adjustor Tool comes in a built-in storage pocket. Replace after use.

7 TO CHANGE SENSOR ACTIVATION DISTANCE

1. Remove battery compartment tray as shown in Step 6.
2. Remove cover and sensor adjustor tool as shown in Step 6.
3. Replace battery compartment in E-Z Flush to activate unit (the yellow L.E.D. will flash continuously when it has an object in view for the 10-minute reset period). See Step 4 – “Activation.”
4. Have an individual stand at desired activation distance.
5. Use sensor adjustor tool and turn the **Sensor Range Adjustment Screw** all the way down and then turn slowly up until **yellow L.E.D.** begins to flash.
6. Ensure sensor is not detecting stall door or wall by closing door, stepping out of sensor path and making sure **yellow L.E.D.** is not flashing. If sensor locks onto door or wall, unit will not flush properly. Shorten activation distance.
7. Remove battery compartment, replace sensor adjustor tool and cover. Replace battery compartment tray to reactivate E-Z Flush unit.
8. After 10-minute start-up sequence, the **yellow L.E.D.** will flash only 3 times when a user is in view (after a 5-second delay).

8 WIRING DIAGRAM



9 TROUBLESHOOTING GUIDE

PROBLEM	CAUSE	SOLUTION TO PROBLEM
Yellow L.E.D. light flashes 3 times when there are no users.	Front of sensor is covered or sensor is set too far out, registering the opposite wall or door as a user.	Remove item covering sensor or adjust sensor activation distance. (See Step 7 – “To Change Sensor Activation Distance.”)
Yellow L.E.D. light flashes continuously when sensor is activated by a user.	E-Z Flush unit is in 10-minute start-up mode (when first activated).	Yellow L.E.D. light will flash only 3 times, acknowledging a user is in view after the 10-minute start-up mode.
Red L.E.D. light flashes.	Batteries need replacing.	Replace batteries.
Not enough water to fixture or too much water to fixture.	Diaphragm damaged or valve control stop improperly adjusted.	Replace diaphragm and/or adjust valve control stop.
Valve will not operate.	Sensor range set too close to E-Z Flush, batteries are dead, or water supply is turned off.	Adjust sensor, replace batteries, or turn water on. If the E-Z Flush does not begin to function, call Customer Service at 1-800-997-3876.
Valve does not shut off.	Dirt or debris preventing diaphragm from functioning properly.	Remove dirt or debris, consult valve manufacturer's directions.
Valve does not flush even after sensor has been adjusted.	Batteries are dead.	Replace batteries. If the E-Z Flush does not begin to function, call Customer Service at 1-800-997-3876.

ZURN INDUSTRIES, LLC. COMMERCIAL BRASS OPERATION

5900 ELWIN BUCHANAN DRIVE, SANFORD, NC, U.S.A. 27330 PHONE: 1-800-997-3876 FAX: 919/775-3541 WEBSITE: www.zurn.com
ZURN INDUSTRIES LIMITED 3544 NASHUA DRIVE, MISSISSAUGA, ONTARIO L4V 1L2 PHONE: 905/405-8272 FAX: 905/405-1292