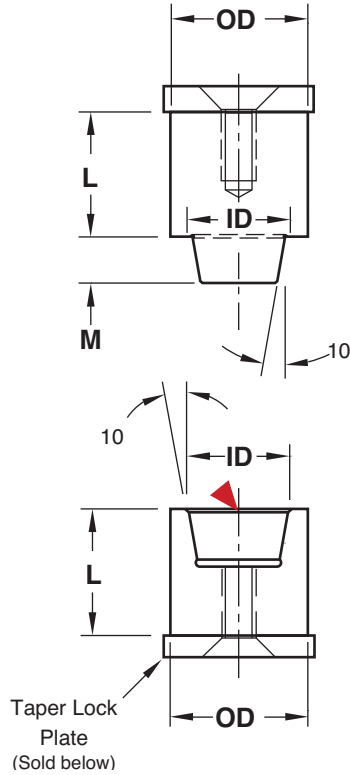




# TAPER LOCKS

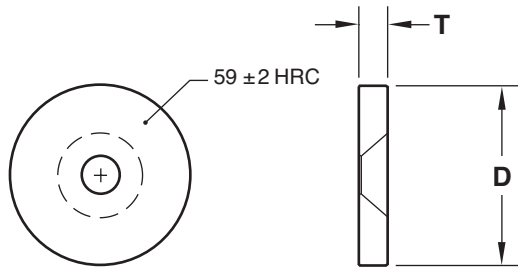


M H-13 H 48-52 HRC

CAD insertion point

O. D. +.0000 -.0003	I. D.	M	Thread Size	L +.004 +.008	MALE CATALOG NUMBER	FEMALE CATALOG NUMBER
1/2	.312	.250	#10-24	11/16	MTL50L.68	FTL50L.68
				7/8	MTL50L.87	FTL50L.87
				1-3/16	MTL50L1.18	FTL50L1.18
				1-3/8	MTL50L1.37	FTL50L1.37
3/4	.500	.281	1/4-20	11/16	MTL75L.68	FTL75L.68
				7/8	MTL75L.87	FTL75L.87
				1-3/16	MTL75L1.18	FTL75L1.18
				1-3/8	MTL75L1.37	FTL75L1.37
1	.625	.343	1/4-20	11/16	MTL100L.68	FTL100L.68
				7/8	MTL100L.87	FTL100L.87
				1-3/16	MTL100L1.18	FTL100L1.18
				1-3/8	MTL100L1.37	FTL100L1.37
1-1/2	1.000	.500	5/16-18	1-1/8	MTL150L1.12	FTL150L1.12
				1-3/8	MTL150L1.37	FTL150L1.37
				1-5/8	MTL150L1.62	FTL150L1.62
2	1.500	.500	5/16-18	1-1/8	MTL200L1.12	FTL200L1.12
				1-3/8	MTL200L1.37	FTL200L1.37
				1-5/8	MTL200L1.62	FTL200L1.62

# TAPER LOCK PLATES



M AISI 52100 H 57-61 HRC S Black Oxide

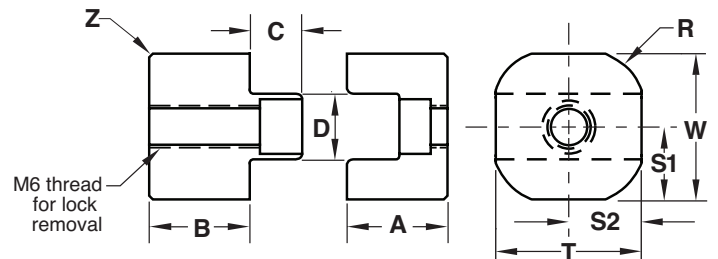
CATALOG NUMBER	Taper Lock OD	D +.000 -.015	T +.000 -.002	Flat Head Counterbore
TLP50	1/2	.687	.187	#10-24
TLP75	3/4	1.000	.187	1/4-20
TLP100	1	1.187	.187	1/4-20
TLP150	1-1/2	1.687	.250	5/16-18
TLP200	2	2.187	.250	5/16-18

1/2" long FHCS included.

# TOP LOCK-20MM SQUARE Z-SERIES



Female: M D-2 H Core: 58-62 HRC, Surface: 80 HRC S Titanium Nitride Coated  
Male: M H-13 H Core: 42-48 HRC, Surface: 70 HRC S Salt Bath Nitride



CATALOG NUMBER	T +.00 -.05	W +.00 -.01	A +.00 -.05	B +.00 -.05	C	D .002/.008 Clearance Per Side	S1 ±.25	S2 ±.25	R Pocket Radius	Z Chamfer	SHCS
TLM20X20	20	20	14	14	7	9	Center	Center	5	1	M: M4 x 25 F: M4 x 10