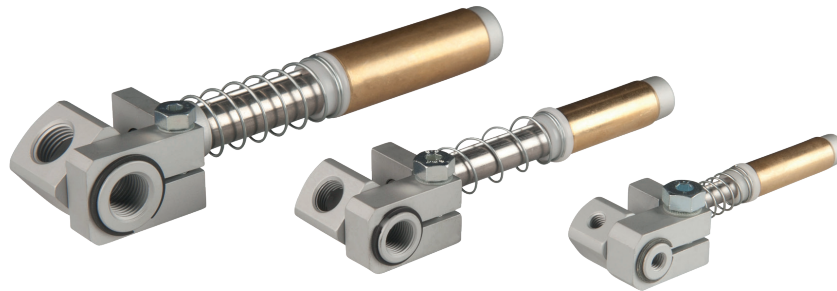




Spring compensated suction fingers for vacuum cups – non-rotating



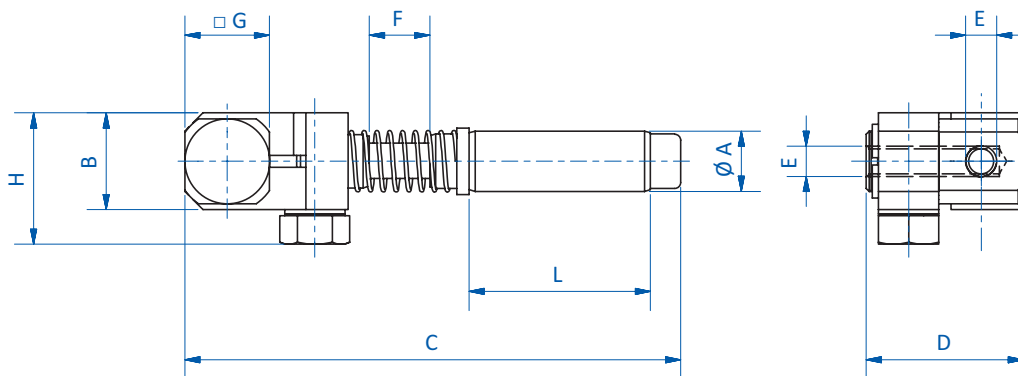
Product notes

- > Adjustable head for mounting and aligning vacuum cups with part contours
- > Spring compensates for variation in ejection stroke
- > Smooth motion due to lubrication-free polymer bearing
- > Angle adjustment +/- 120°

Technical data

Item no.	Stroke [mm]	Weight [g]
GR03.120B	10	35
GR03.121B	20	37
GR03.130B	15	75
GR03.131B	35	84
GR03.152B	20	207
GR03.153B	40	229

Dimensions



Item no.	Ø A [mm]	E	B [mm]	C [mm]	D [mm]	F [mm]	□ G [mm]	H [mm]	L [mm]
GR03.120B	10	M5	16	82	26	10	14	21.7	30
GR03.121B	10	M5	16	92	26	20	14	21.7	30
GR03.130B	14	G1/8	19	104.5	32.5	15	18	24.7	35
GR03.131B	14	G1/8	19	124.5	32.5	35	18	24.7	35
GR03.152B	20	G1/4	25	139.5	37.5	20	24	30.7	55
GR03.153B	20	G1/4	25	159.5	37.5	40	24	30.7	55