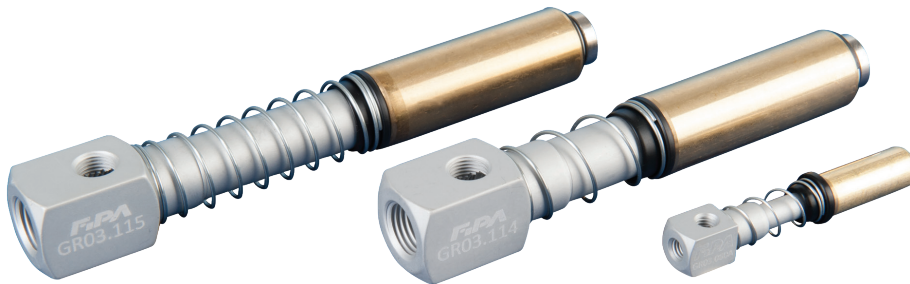




## Spring compensated gripper arm for vacuum cups



### Product notes

- > Spring compensates for variation in ejection stroke
- > Smooth motion due to lubrication-free polymer bearing
- > Only for round vacuum cups

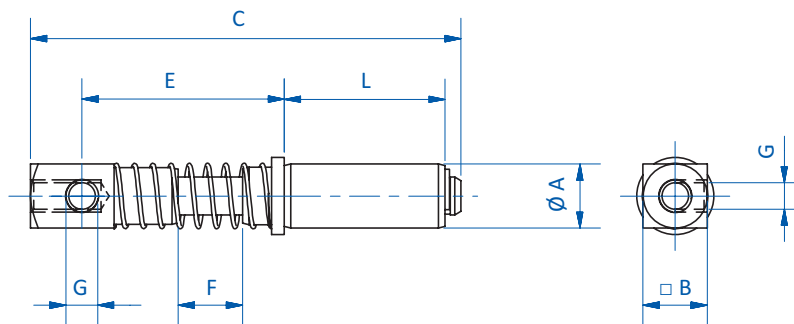
### Technical data

Item no.	Stroke [mm]	Weight [g]
GR03.080A	10	18
GR03.081A	20	18
GR03.090A	15	45
GR03.091A	35	48
GR03.114	20	127
GR03.115	40	136

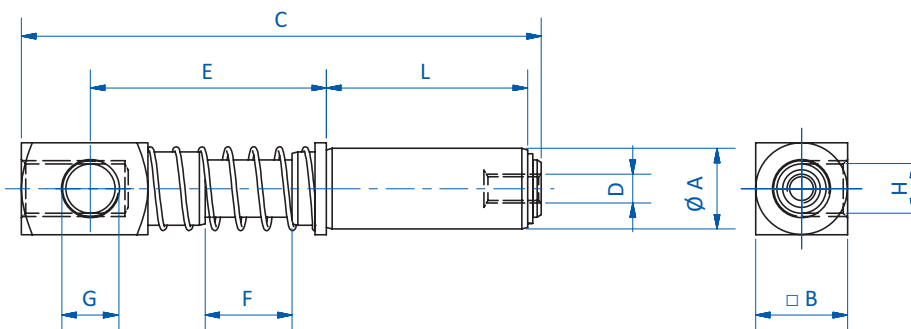
### Dimensions

$\varnothing A$ [mm]	G	H	D	$\square B$ [mm]	C [mm]	E [mm]	F [mm]	L [mm]
10	M5	M5	--	10	67	31.5	10	25
10	M5	M5	--	10	77	41.5	20	25
14	G1/8	G1/8	M5	16	92.5	41.1	15.1	35
14	G1/8	G1/8	M5	16	112.5	61.1	35.1	35
20	G1/8	G1/4	G1/8	20	127.5	50	20	55
20	G1/8	G1/4	G1/8	20	147.5	70	40	55

### Dimensions



GR03.080A | GR03.081A



GR03.090A | GR03.091A | GR03.114 | GR03.115