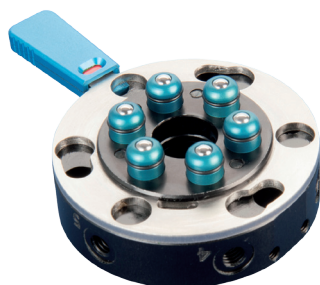




Quick-change systems | SR Series

Round quick-changers Ø 50 mm, 6 air inlets – robot side

Round quick-changers Ø 50 mm, 6 air inlets – robot side



SR50-A-SL-MV with optical locking indication SAFE-LOCK

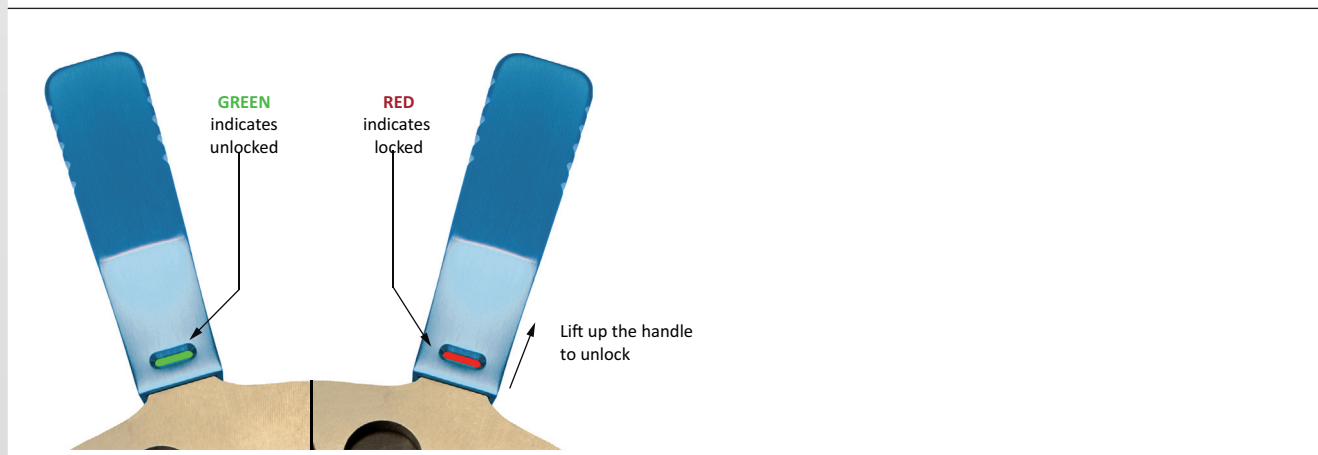
Product notes

- > Manual interface between robot and gripper system
- > Air connections always correctly aligned
- > Body made of anodized aluminum alloy
- > Model MV comes with micro valves for automatic air or vacuum lock off during decoupling
- > Model SL with secure SAFE-LOCK ensures maximum functional reliability and optical locking indication (red/green)
- > Stainless steel design on request

Technical data

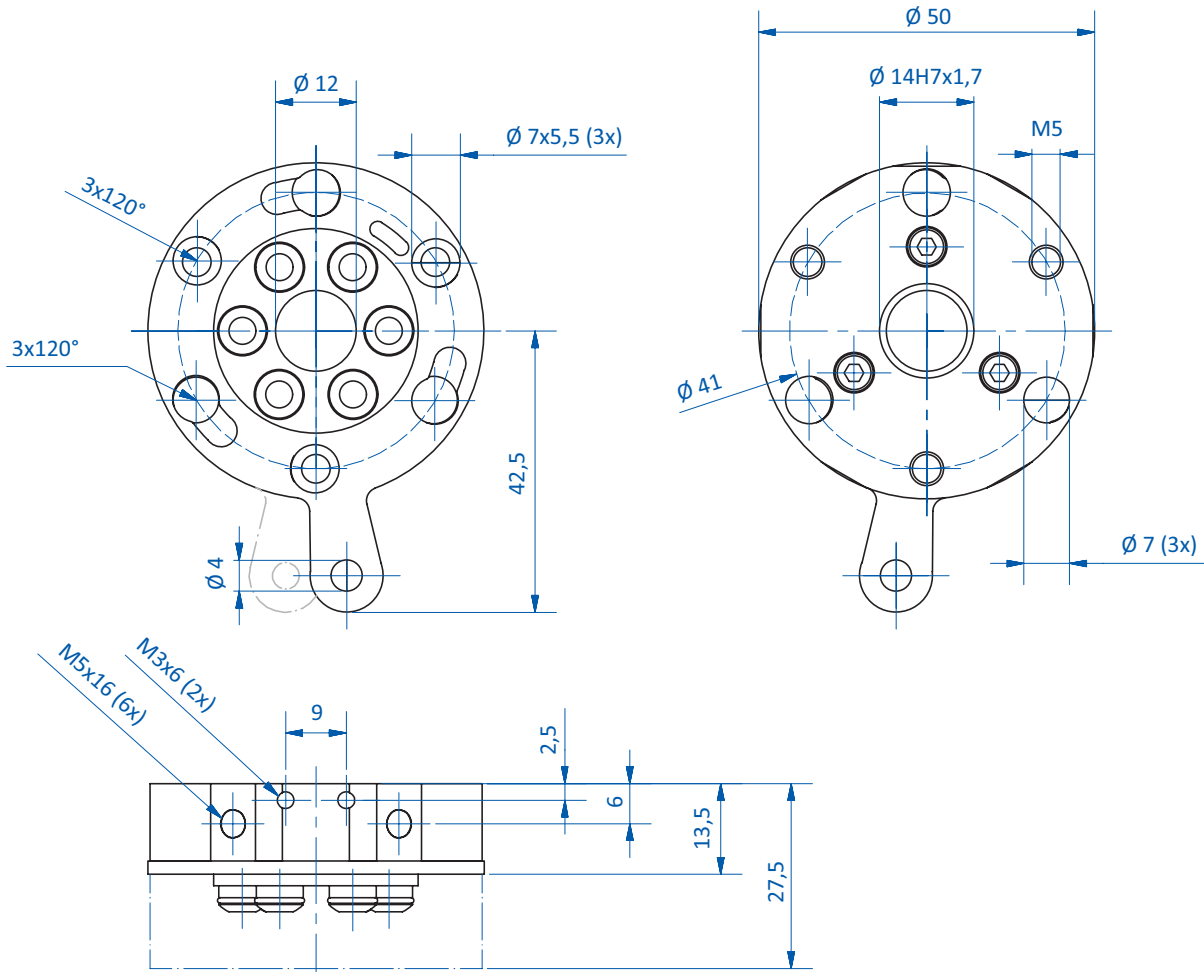
Item no.	SR50-A	SR50-A-MV	SR50-A-SL	SR50-A-SL-MV
Lifting force [N]	200	200	200	200
Number of pneumatic connections	6xM5	6xM5	6xM5	6xM5
Working pressure [bar (psi)]	0 - 6 (0 - 87)	0 - 6 (0 - 87)	0 - 6 (0 - 87)	0 - 6 (0 - 87)
Max. torque [Nm]	50	50	50	50
Max. bending moment [Nm]	30	30	30	30
Repeat accuracy [mm]	+/- 0.025	+/- 0.025	+/- 0.025	+/- 0.025
Micro valves	--	integrated	--	integrated
Snap-on	--	--	SAFE-LOCK for secure locking	SAFE-LOCK for secure locking
Weight [g]	65	65	65	65
Accessories	Electrical connectors: 20.537 Spare part kit: KIT-SR50	Electrical connectors: 20.537 Spare part kit: KIT-SR50	Electrical connectors: 20.537 Spare part kit: KIT-SR50	Electrical connectors: 20.537 Spare part kit: KIT-SR50

Display of optical locking indication SAFE-LOCK





Dimensions



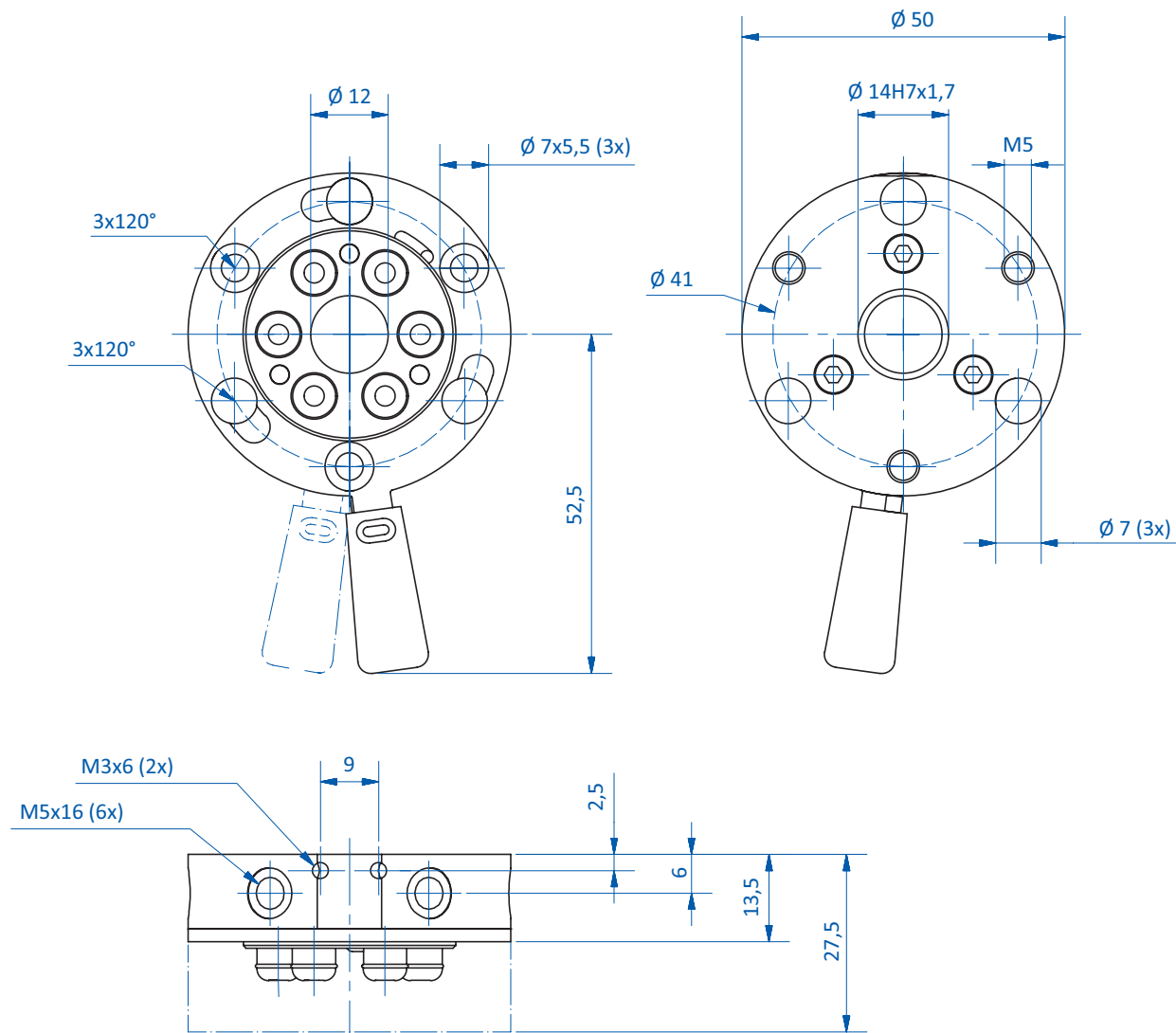
SR50-A | SR50-A-MV



Quick-change systems | SR Series

Round quick-changers \varnothing 50 mm, 6 air inlets – robot side

Dimensions



SR50-A-SL | SR50-A-SL-MV



Round quick-changers \varnothing 50 mm, 6 air inlets – gripper side



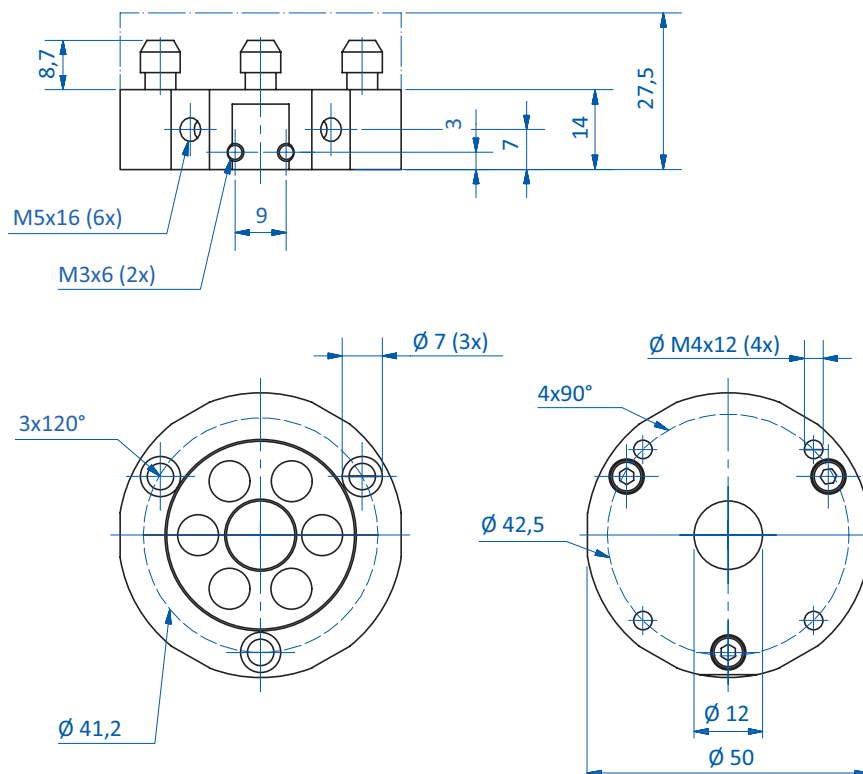
Product notes

- > Manual interface between robot and gripper system
- > Air connections always correctly aligned
- > Body made of anodized aluminum alloy
- > Stainless steel design on request

Technical data

Item no.	SR50-B
Lifting force [N]	200
Number of pneumatic connections	6xM5
Working pressure [bar (psi)]	0 - 6 (0 - 87)
Max. torque [Nm]	50
Max. bending moment [Nm]	30
Repeat accuracy [mm]	+/- 0.025
Weight [g]	69
Suitable electrical connectors	20.538

Dimensions

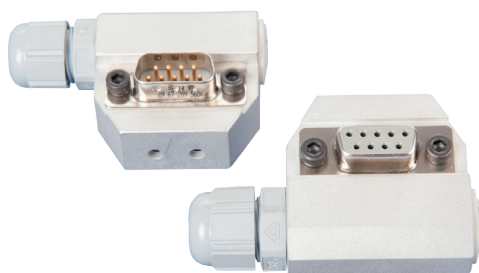




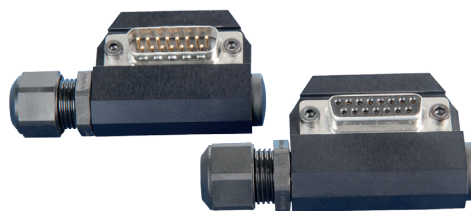
Quick-change systems | Accessories – SR Series

Electric plug connectors for SR50, SR90 and SR150

Electric plug connectors for SR50, SR90 and SR150



Robot side 20.537 | Gripper side 20.538



Robot side 20.535 | Gripper side 20.536

Product notes

- > Electrical interface between robot and gripper
- > 15 pin SUB-D plug
- > Max. cable cross section 0.14 mm² based on 16 - 18-wire cable

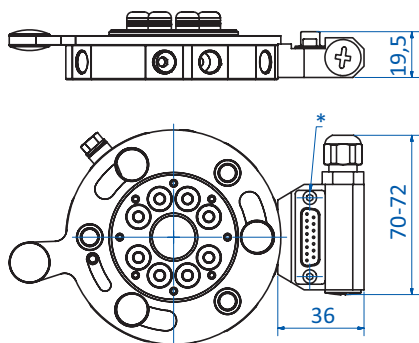
Technical data

Item no.	Suitable quick-change systems	Plug Design	Number of Pins	Operating voltage [VDC]	Power consumption [W]	Weight [g]	Suitable plug
20.535	SR90-A, SR150-A, SR90-A-SL, SR150-A-SL	male	15	24	0.5	42	20.505
20.536	SR90-B, SR150-B	female	15	24	0.5	41	20.505
20.537	SR50-A, SR50-A-SL, SR50-A-MV, SR50-A-SL-MV	male	9	24	0.5	42	20.505
20.538	SR50-B	female	9	24	0.5	41	20.505

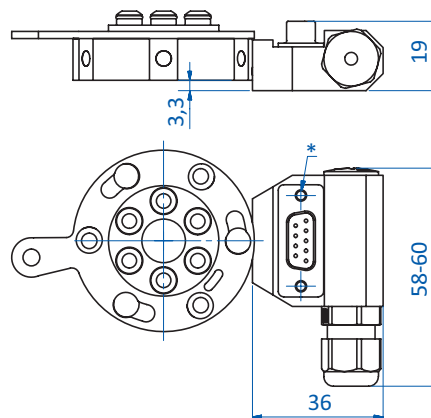
SR Series with electric connectors



Dimensions



20.535 | 20.536



20.537 | 20.538

* = Remove plug connection for cable installation