



Adapter plates for round quick-changers – gripper side



SR90-C



GR05.102

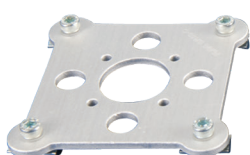
Product notes

- > Adapter plates for mounting SLine or MLine extrusions to SR Series round quick-changers
- > GR05.100, GR05.101, GR05.102: for SEPRO quick-changers
- > Slot nuts and mounting screws included in scope of delivery
- > Suitable for third-party systems

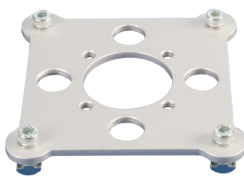
Technical data

Item no.	Weight [g]	Suitable quick-change systems
SR50-C	107	SR50-A (p.20), SR50-B (p.23)
SR90-C	117	SR90-A (p.24), SR90-B (p.27)
SR150-C	227	SR150-A (p.28), SR150-B (p.31)
GR05.100	236	SEPRO AM02S0716605
GR05.101	272	SEPRO BP 90
GR05.102	400	SEPRO BP 120

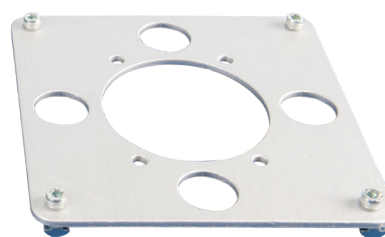
Robot adapter plates SR Series



SR50-C



SR90-C



SR150-C

Robot adapter plates SEPRO



GR05.100



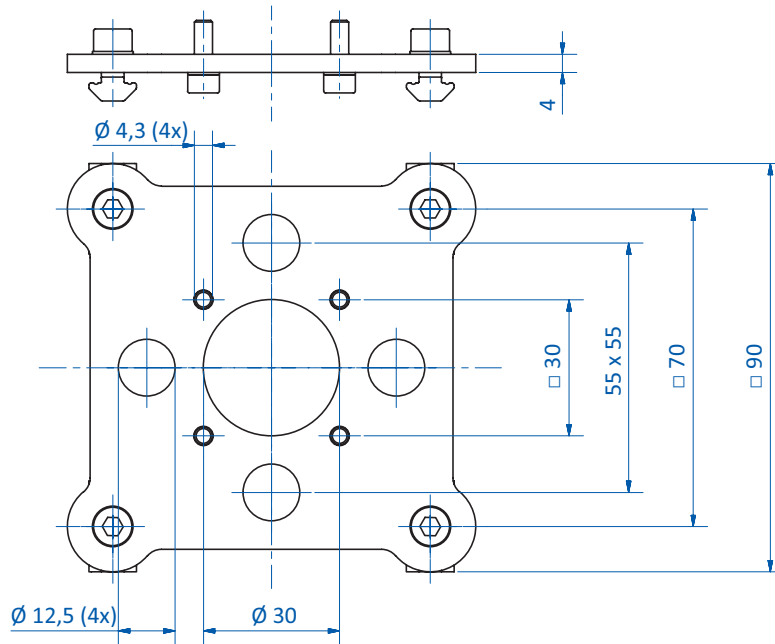
GR05.101



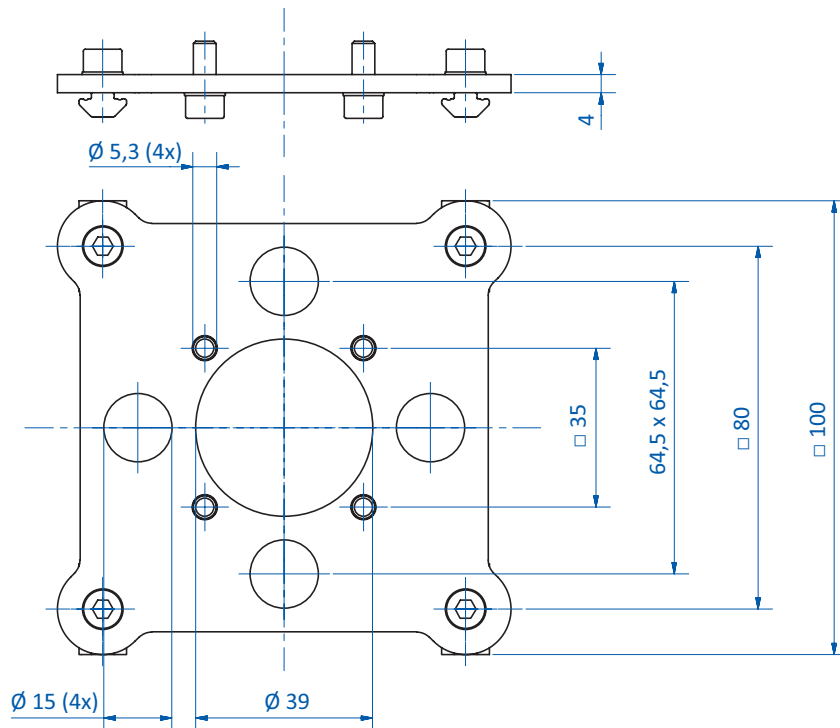
GR05.102



Dimensions



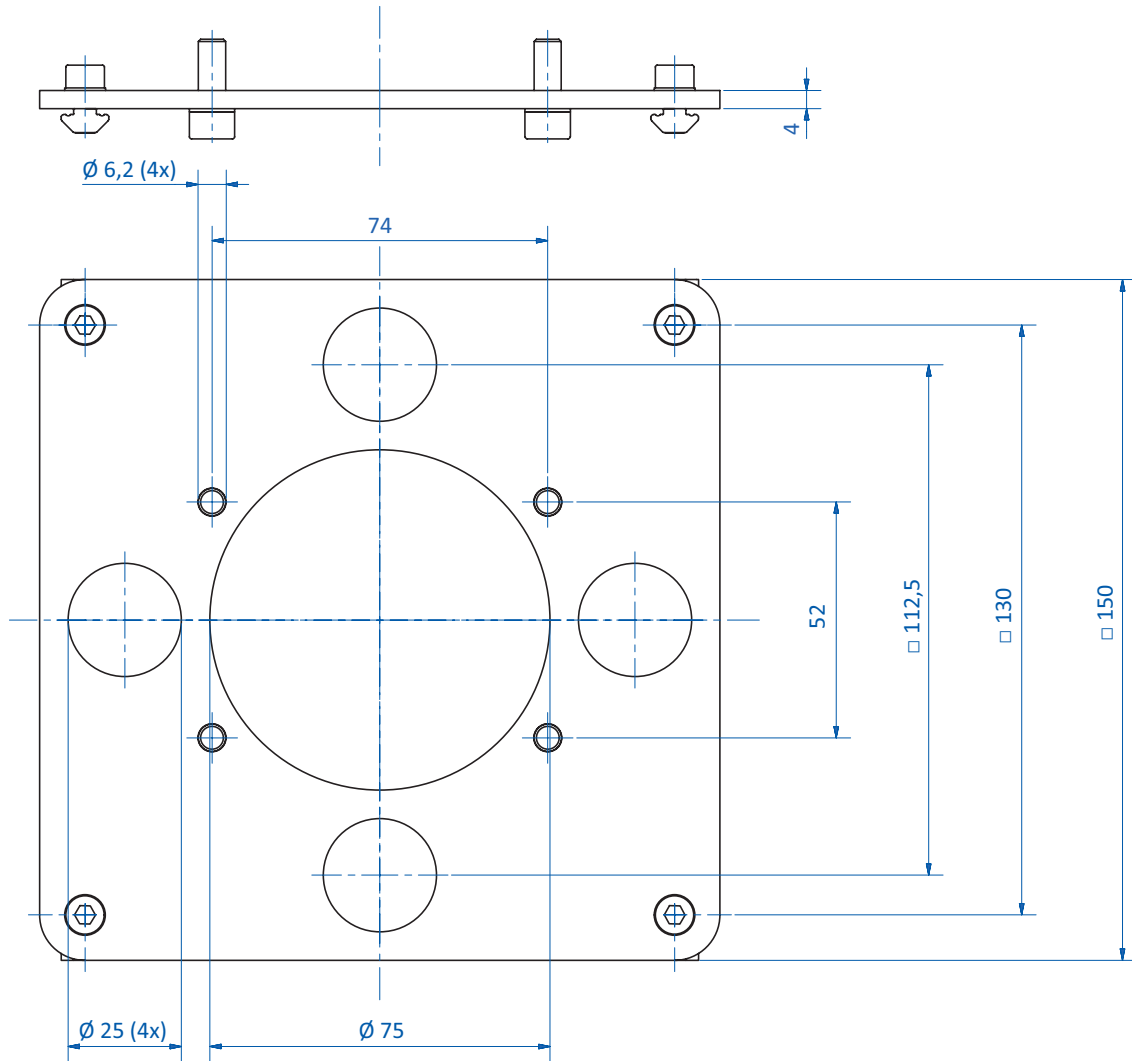
SR50-C



SR90-C



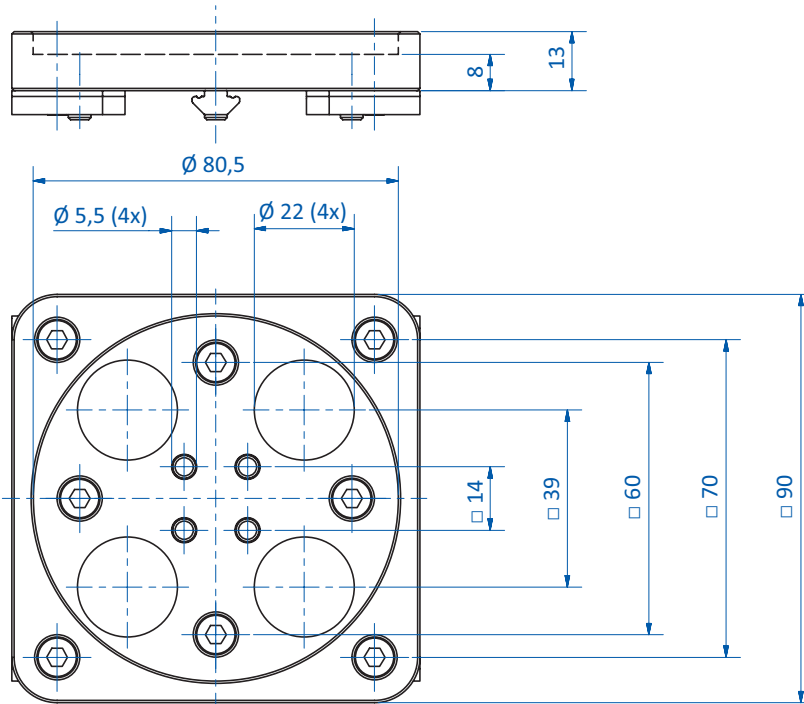
Dimensions



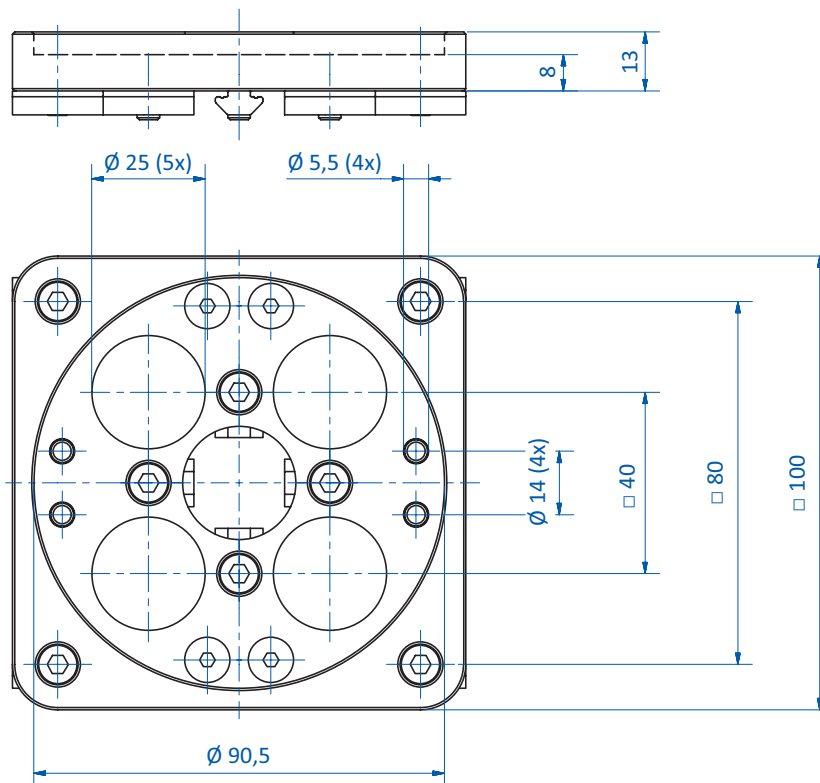
SR150-C



Dimensions



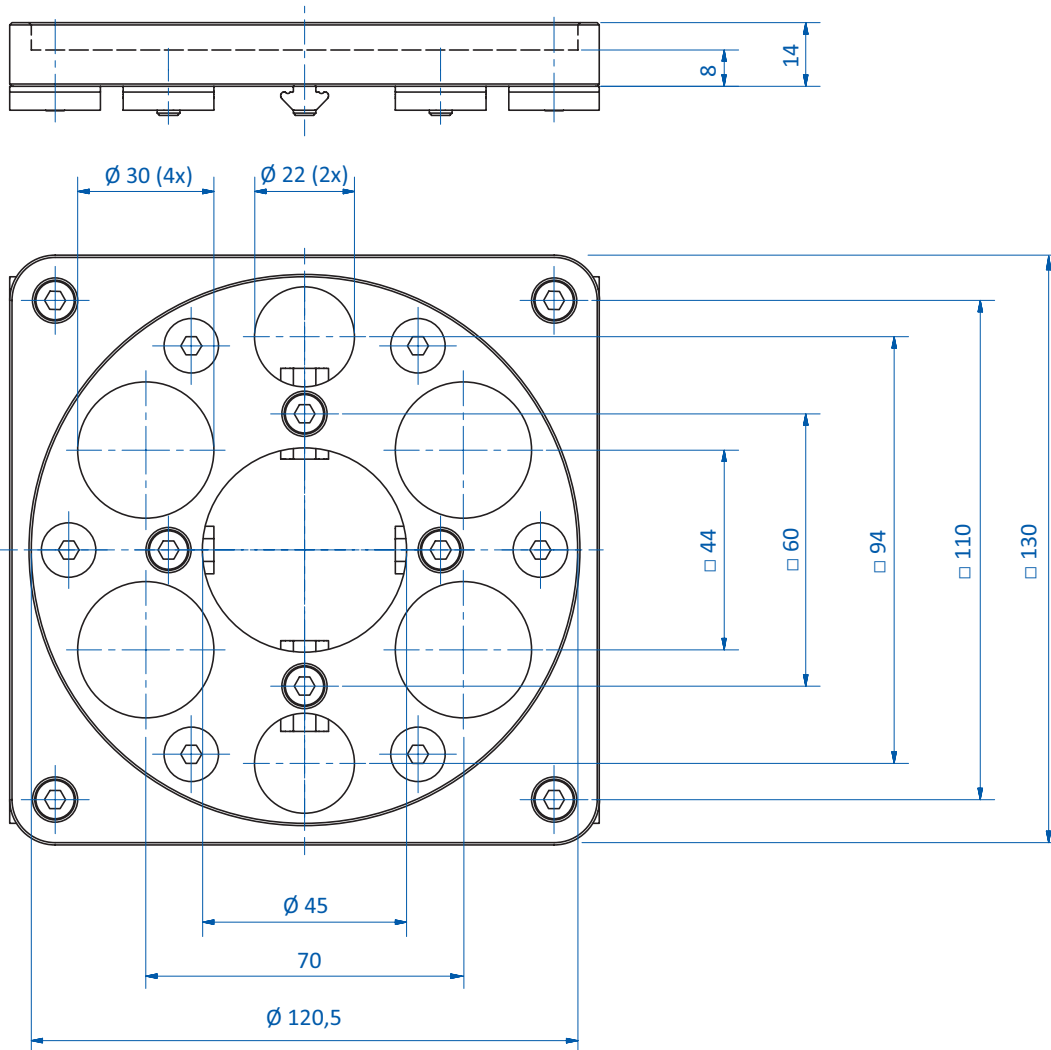
GR05.100



GR05.101



Dimensions



GR05.102