



Gripper mounting plates



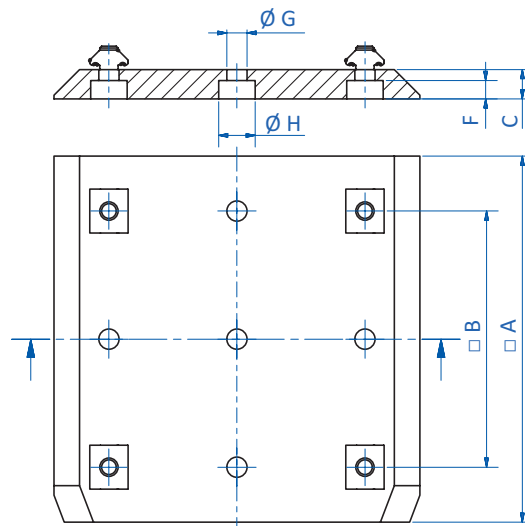
Product notes

> Mounting plate for profile based grippers

Technical data

Item no.	Industry standard code	Suitable for extrusion system	Length [mm]	Weight [g]	Suitable robot adapter plates
GR05.042	GR-0	SLine / MLine / JLine (Universal)	60	84	GR05.041
GR05.022	GR-1	SLine / MLine / JLine (Universal)	100	230	GR05.021
GR05.032	GR-2	SLine	160	635	GR05.031
GR05.052	GR-3	SLine	250	1,650	GR05.051
GR05.063	GR-2	MLine / JLine	160	690	GR05.031
GR05.070	GR-3	MLine / JLine	250	1,670	GR05.051
GR-XL05.032	GR-2	XLine	160	752	GR05.031
GR-XL05.052	GR-3	XLine	250	1,784	GR05.051

Dimensions





Quick-change systems | S Series

Gripper mounting plates

Item no.	□ A [mm]	□ B [mm]	C [mm]	F [mm]	∅ G [mm]	∅ H [mm]
GR05.042	60	35	8	5	5.5	10
GR05.022	100	70	8	5	5.5	10
GR05.032	160	120	10	4.5	5.5	10
GR05.052	250	200	10	7	5.5	10
GR05.063	160	120	10	4.9	6.4	11
GR05.070	250	200	10	4.9	6.4	11
GR-XL05.032	160	120	10	6.5	8.5	14
GR-XL05.052	250	200	10	6.5	8.5	14