



# Gripper arms | Suction fingers

Suction fingers for vacuum cups – rigid

## Suction fingers for vacuum cups – rigid



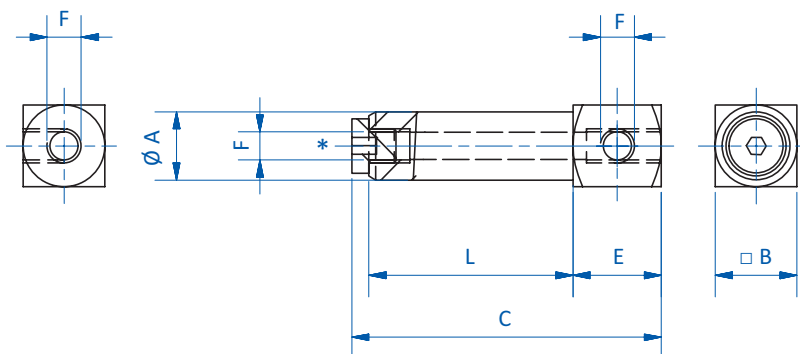
### Product notes

- > Components for mounting vacuum cups
- > Two vacuum ports

### Technical data

Item no.	Weight [g]	Dimensions							
		$\varnothing A$ [mm]	F	G	H	$\square B$ [mm]	E [mm]	C [mm]	L [mm]
GR03.001A	11	10	M5	--	--	12	13	45.5	30
GR03.002A	16	10	M5	--	--	12	13	75	60
GR03.003A	22	10	M5	--	--	12	13	105	90
GR03.010A	27	14	G1/8	--	--	16	20	67.5	45
GR03.011A	39	14	G1/8	--	--	16	20	112.5	90
GR03.012A	49	14	G1/8	--	--	16	20	152.5	130
GR03.036	64	20	G1/4	G1/8	G1/8	22	23	75.5	50
GR03.037	100	20	G1/4	G1/8	G1/8	22	23	125	100
GR03.038	137	20	G1/4	G1/8	G1/8	22	23	175.5	150
GR03.039	203	30	G1/4	--	G1/4	30	30	230	200

### Dimensions

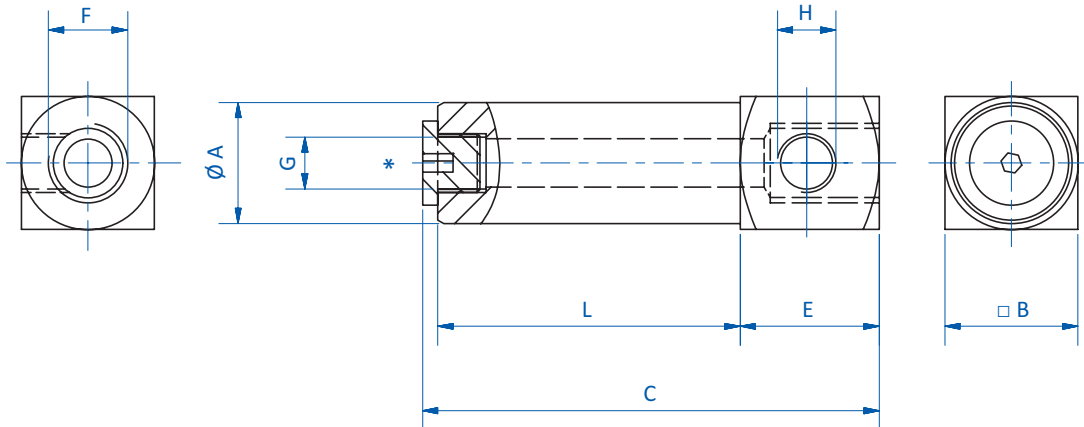


GR03.001A | GR03.002A | GR03.003A | GR03.010A | GR03.011A | GR03.012A

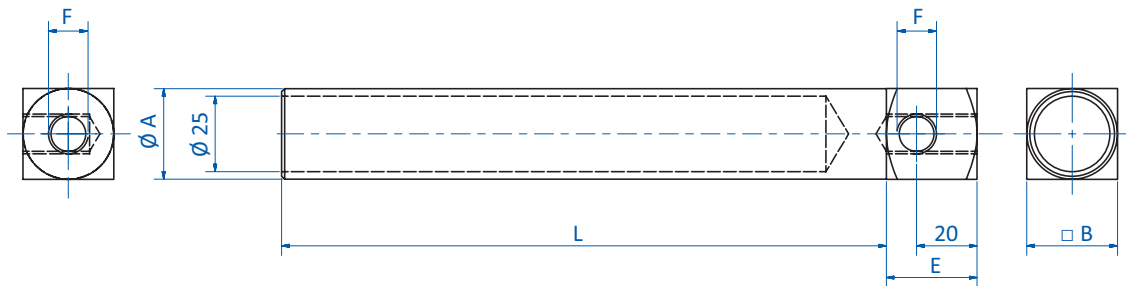
\* = Alternative vacuum connection



## Dimensions



GR03.036 | GR03.037 | GR03.038



GR03.039

\* = Alternative vacuum connection