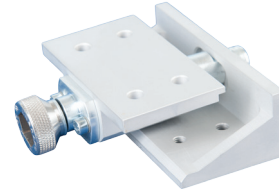
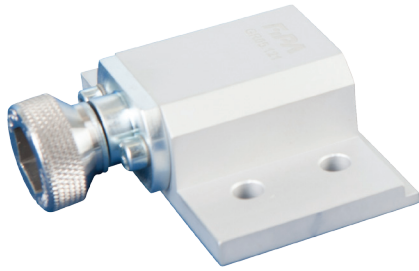




Quick-change systems rectangle, robot side

COMPATIBLE WITH STAR SYSTEMS



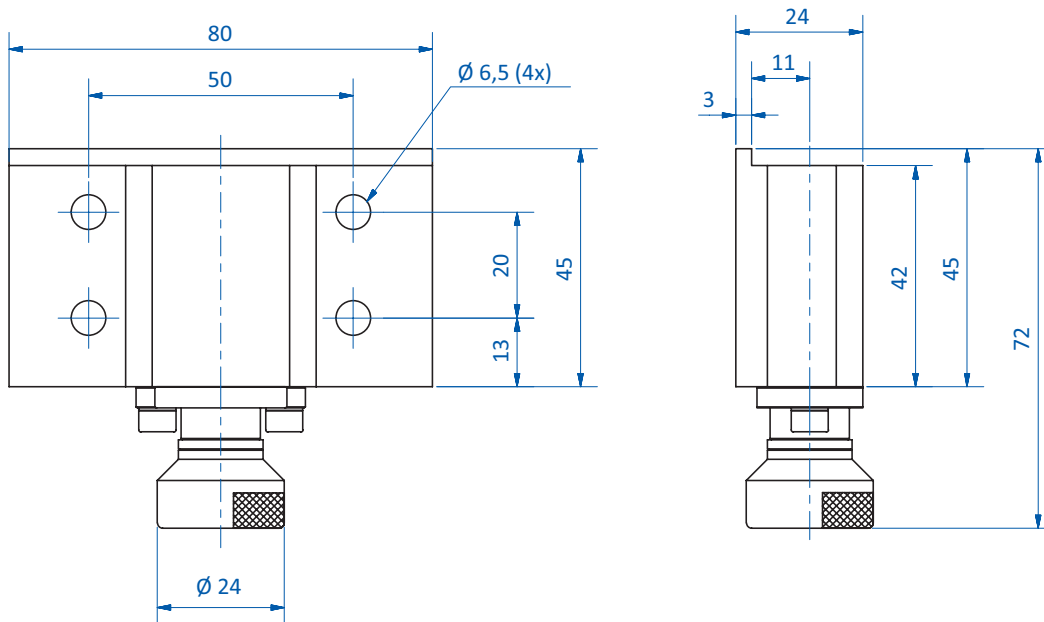
Product notes

- > Manual interface between robot and gripper system
- > Minimized downtime due to fast gripper change
- > Gripper side not included in scope of delivery

Technical data

| Item no. | Lifting force [N] | Weight [g] | Suitable gripper side |
|----------|-------------------|------------|-----------------------|
| GR05.121 | 150 | 168 | GR05.122 |

Dimensions



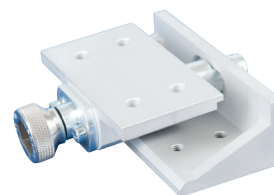


Quick-change systems | R Series

Quick-change systems rectangle, gripper side

Quick-change systems rectangle, gripper side

COMPATIBLE WITH STAR SYSTEMS



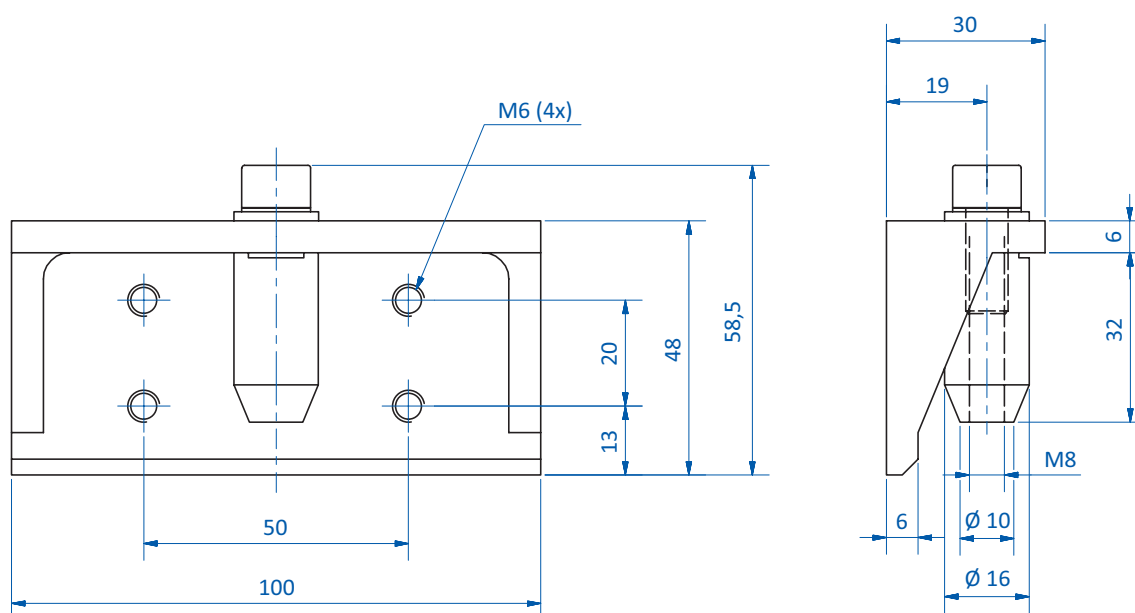
Product notes

- > Manual interface between robot and gripper system
- > Minimized downtime due to fast gripper change
- > Robot side not included in scope of delivery

Technical data

| Item no. | Lifting force [N] | Weight [g] | Suitable robot side |
|----------|-------------------|------------|---------------------|
| GR05.122 | 150 | 171 | GR05.121 |

Dimensions





Dimensions for quick-change system robot side incl. gripper side

