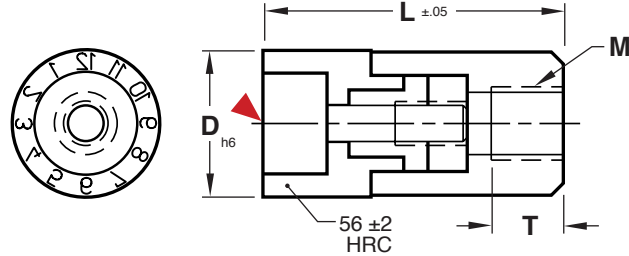
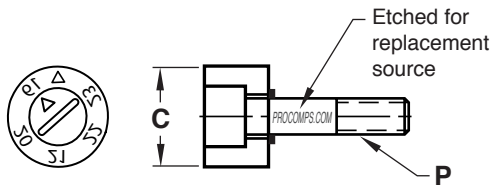


DATE STAMPS

MULTI-DATERS



PLUGS



M 1.4034 **H** 54-58 HRC

CATALOG NUMBER	C	Slot Depth	P	Engraving Depth (Arrow)
DMDP06-19	4.2	0.4	M1.6x0.2	0.10
DMDP08-19	5.8	0.4	M2.5x0.35	0.10
DMDP10-19	7.0	0.4	M2.5x0.35	0.10
DMDP12-19	8.5	0.6	M3.0x0.5	0.20
DMDP16-19	11.5	0.6	M3.0x0.6	0.25



Years & Months plug style is featured in the table above.



Months ring style is featured in the table above.



RINGS

CATALOG NUMBER	D	L	M	T	Engraving Depth
DMD06	6	17	M3 x 0.5	3	0.10
DMD08	8	20	M4 x 0.7	4	0.12
DMD10	10	20	M5 x 0.8	4	0.13
DMD12	12	25	M6 x 1.0	6	0.20
DMD16	16	33	M8 x 1.25	8	0.25

CAD insertion point

Additional Plug and Ring Options: Specify catalog number as shown below for the different style plugs and rings.

Plug Styles: Recessed Lettering



Arrow & 5 Years

Cat #: DMDP-Diam-Starting Year*-5
Ex.: DMDP06-195



Arrow & 11 Years

Cat #: DMDP-Diam-Starting Year*-11
Ex.: DMDP06-1911

Ring Styles: Recessed Lettering



Days

Cat #: DMDL-Diam
Ex.: DMDL06



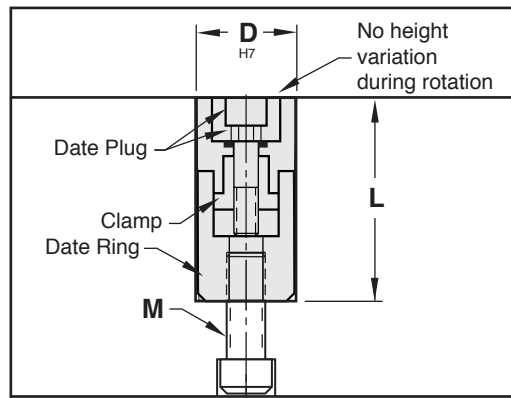
Weeks

Cat #: DMDW-Diam
Ex.: DMDW06

*Where years are specified, any year can be ordered by changing the suffix. Example DMDP10-20 or DMDP06-21.

Special configurations are available.
Contact Customer Service for more information.

Installation Guidelines:



Maximum mold temperature: 450° F (230° C)