



Extrusion systems | Mounting of vacuum cups

Vacuum cup connectors – rotatable 360°

Vacuum cup connectors – rotatable 360°



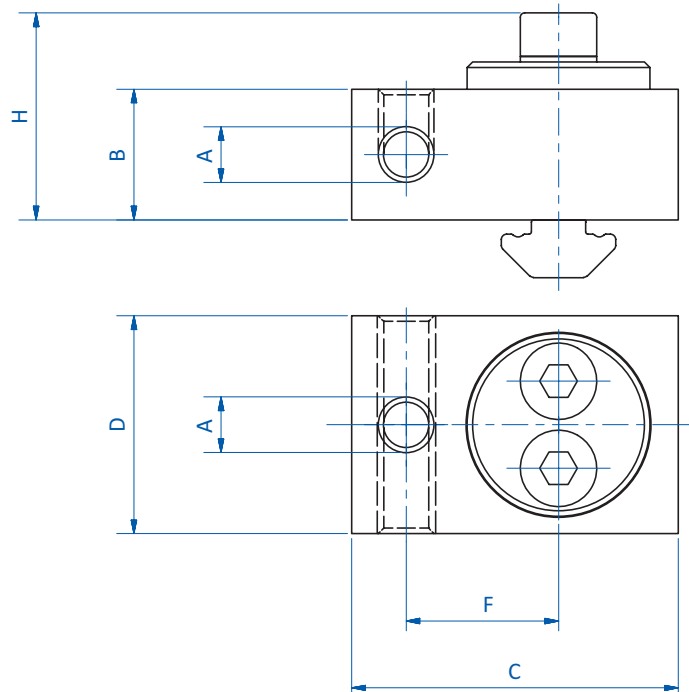
Product notes

- > 360° adjustability
- > Two vacuum ports

Technical data

| Item no. | Suitable for extrusion system | Weight [g] |
|-----------------|-------------------------------|------------|
| GR02.060 | SLine / MLine | 24 |
| GR02.061 | SLine / MLine | 48 |
| GR02.063 | SLine / MLine | 69 |

Dimensions



| Item no. | A | B [mm] | C [mm] | D [mm] | F [mm] | H [mm] |
|-----------------|------|--------|--------|--------|--------|--------|
| GR02.060 | M5 | 12 | 30 | 20 | 14 | 19 |
| GR02.061 | G1/8 | 15 | 43 | 25 | 20 | 22.1 |
| GR02.063 | G1/4 | 20 | 45 | 30 | 21 | 25.6 |