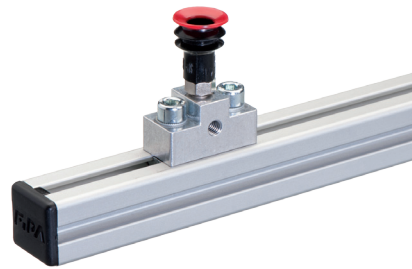
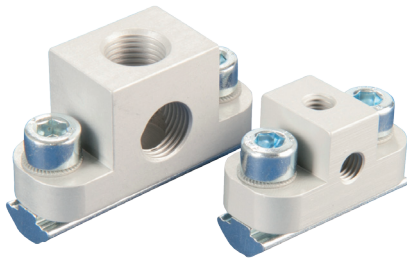




### Vacuum cup connectors – perpendicular



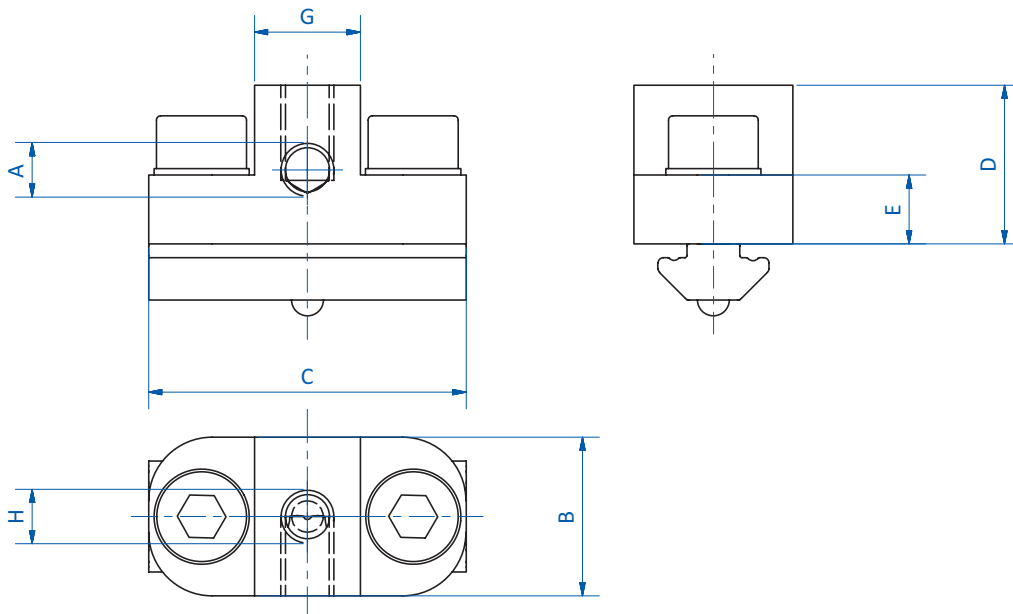
#### Product notes

- > Compact mounting of vacuum cups to profiles

#### Technical data

Item no.	Suitable for extrusion system	Weight [g]
GR02.050	SLine / MLine	24
GR02.051	SLine / MLine	36
GR02.053	SLine / MLine	49

#### Dimensions



Item no.	A	H	B [mm]	C [mm]	D [mm]	E [mm]	G [mm]
GR02.050	M5	M5	15	30	15	6.5	10
GR02.051	G1/8	G1/8	15	40	20	6.5	20
GR02.053	G1/4	G1/4	20	40	25	6.5	20