



Extrusion systems | Slot nuts

Threaded slot nuts – swivel-in

Threaded slot nuts – swivel-in



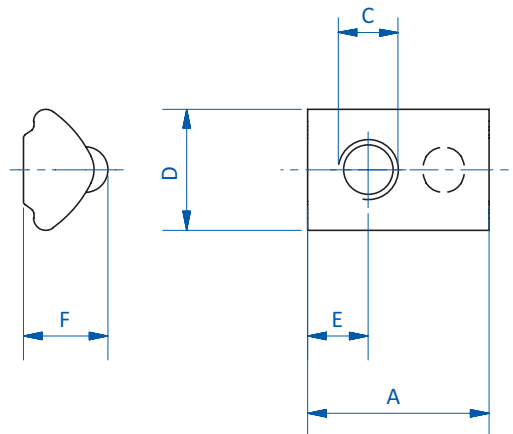
Product notes

- > Galvanized steel slot nuts
- > Enables subsequent extension of gripper systems without disassembly
- > Ball catch prevents slipping of slot nut during installation

Technical data

Item no.	Suitable for extrusion system	With ball catch	Weight [g]
GR01.069	SLine	Yes	2
GR01.070	SLine	Yes	2
GR01.071	SLine	Yes	2
GR01.080	SLine	--	2
GR01.081	SLine	Yes	3
GR01.082	SLine	Yes	4
GR01.083	SLine	Yes	5
GR01.084	SLine	Yes	6
GR01.085	SLine	Yes	7
GR01.086	SLine	Yes	11
GR-XL01.105	XLine	Yes	8

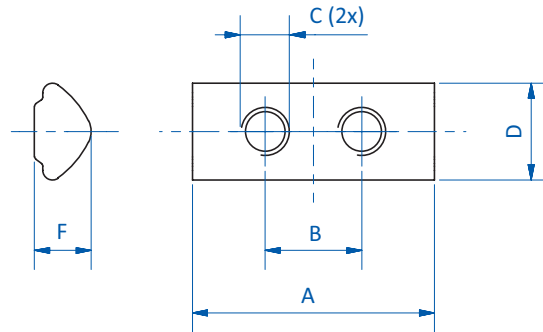
Dimensions



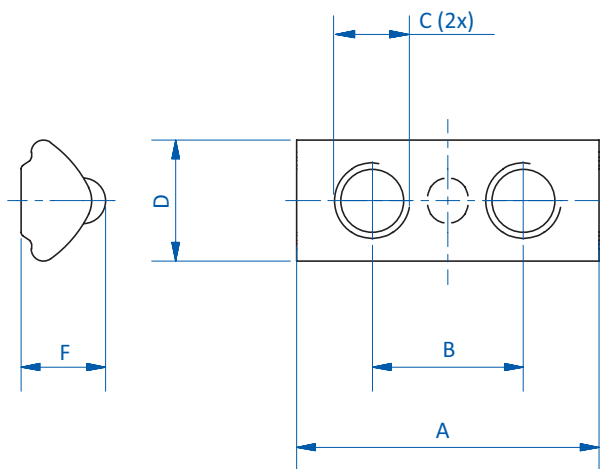
GR01.069 | GR01.070 | GR01.071 | GR-XL01.105



Dimensions



GR01.080



GR01.081 | GR01.082 | GR01.083 | GR01.084 | GR01.085 | GR01.086

Item no.	C	A [mm]	B [mm]	D [mm]	F [mm]	E [mm]
GR01.069	M3	12	--	8	5.6	3
GR01.070	M4	12	--	8	5.6	4
GR01.071	M5	12	--	8	5.6	4
GR01.080	M4	20	8	8	4.7	--
GR01.081	M5	20	10	8	5.6	--
GR01.082	M5	25	12	8	5.6	--
GR01.083	M5	30	20	8	5.6	--
GR01.084	M5	35	25	8	5.6	--
GR01.085	M5	40	30	8	5.6	--
GR01.086	M5	60	50	8	5.6	--
GR-XL01.105	M5	22	--	12.9	9.1	6.3