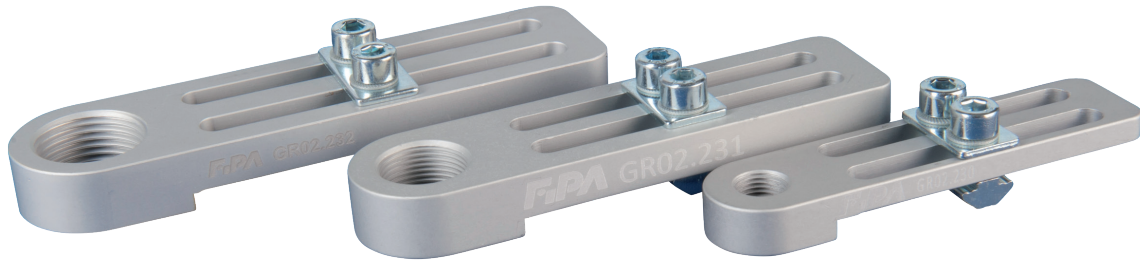




# Extrusion systems | Clamps for shafts

## Threaded mounting brackets

### Threaded mounting brackets



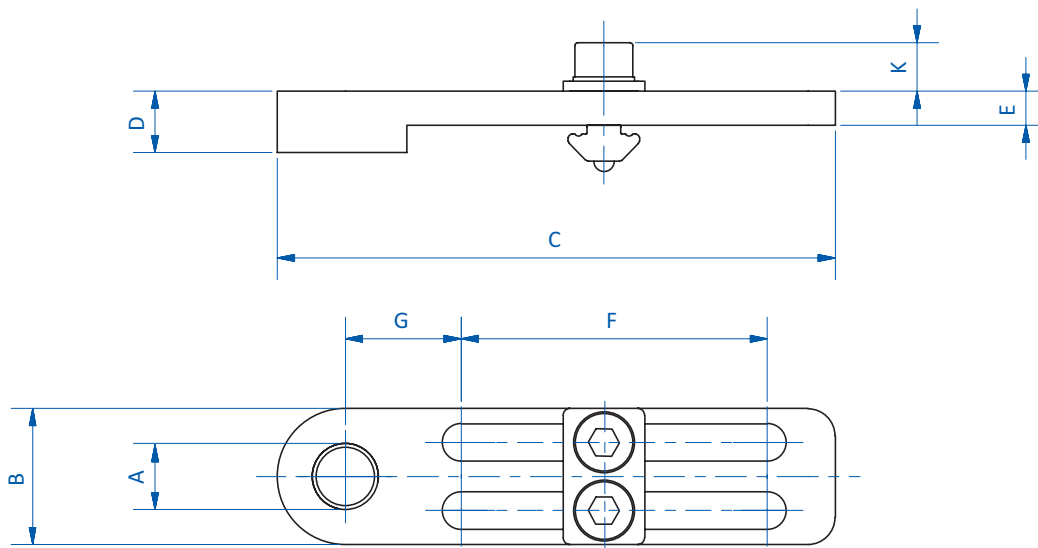
#### Product notes

> Mounting of G1/8, M16 x 1 and M20 x 1.5 suspensions and spring loaded gripper arms to profiles

#### Technical data

Item no.	Suitable for extrusion system	Weight [g]
GR02.230	SLine / MLine	29
GR02.231	SLine / MLine	55
GR02.232	SLine / MLine	63

#### Dimensions



Item no.	A	B [mm]	C [mm]	D [mm]	E [mm]	F [mm]	G [mm]	K [mm]
GR02.230	G1/8	20	82	9	5	45	17	7.1
GR02.231	M16x1	26	99	12	8.5	55	21	7.1
GR02.232	M20x1.5	28	110	12	8.5	65	21	7.1