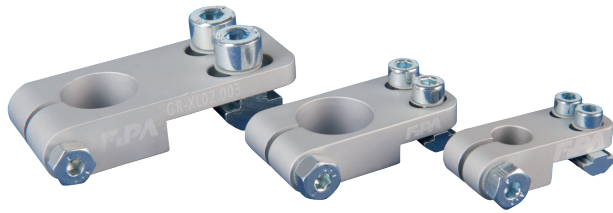




Short angle clamps



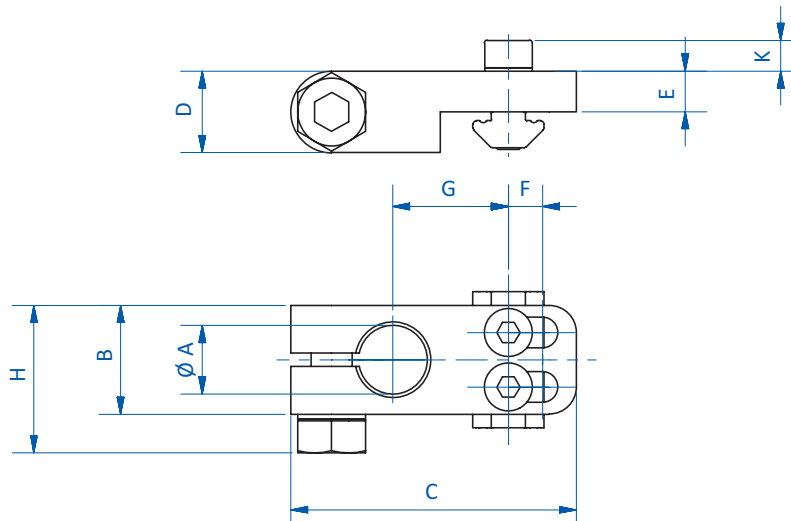
Product notes

- > For 90° mounting of gripper components
- > Slotted holes allow for use with profiles from 20 mm to 30 mm in size

Technical data

Item no.	Suitable for extrusion system	Weight [g]
GR02.001A	SLine / MLine	26
GR02.003A	SLine / MLine	52
GR02.004	SLine / MLine	41
GR02.005	SLine / MLine	73
GR-XL02.003	XLine	114
GR-XL02.005	XLine	122

Dimensions



Item no.	Ø A [mm]	B [mm]	C [mm]	D [mm]	E [mm]	F [mm]	G [mm]	H [mm]	K [mm]
GR02.001A	10	16	42	12	6	5	17	21.7	4.5
GR02.003A	20	25	52	12	6.5	5	22	30.7	5.6
GR02.004	14	20	46	12	6.5	5	19	25.7	5.6
GR02.005	30	35	62	20	10	5	27	40.7	5.6
GR-XL02.003	20	30	73	15	6	10	32	35.7	8.8
GR-XL02.005	30	35	82	20	10	10	37	40.7	8.8