



SLine extrusions



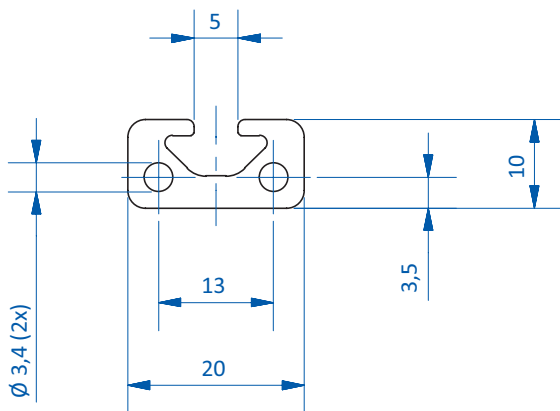
Product notes

- > Lightweight and rigid
- > Material: AlMgSi 0.5 F25
- > Special lengths over 2,000 mm on request

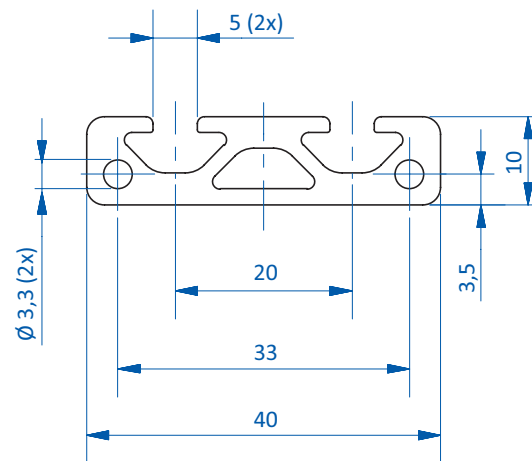
Technical data

| Item no. | Length [mm] | Weight [kg/m] | Cross-section area [cm ²] | Moment of plane area axial Ix [cm ⁴] | Moment of plane area axial Iy [cm ⁴] | Moment of resistance axial Wx [cm ³] | Moment of resistance axial Wy [cm ³] | Suitable end caps |
|---------------|-------------|---------------|---------------------------------------|--|--|--|--|-------------------|
| GR01.001.2000 | 1,960 | 0.35 | 1.28 | 0.12 | 0.53 | 0.22 | 0.53 | GR01.010 |
| GR01.002.2000 | 1,960 | 0.63 | 2.34 | 0.24 | 3.59 | 0.45 | 1.8 | GR01.011 |
| GR01.003.2000 | 1,960 | 0.48 | 1.8 | 0.74 | 0.74 | 0.74 | 0.74 | GR01.012 |
| GR01.004.2000 | 1,960 | 0.87 | 3.22 | 1.39 | 5.16 | 1.39 | 2.53 | GR01.013 |
| GR01.006.2000 | 1,960 | 1.67 | 6.06 | 2.68 | 35.8 | 2.68 | 8.95 | GR01.015 |
| GR01.007.2000 | 1,960 | 1.33 | 4.94 | 9.16 | 9.16 | 4.53 | 4.53 | GR01.016 |

Dimensions



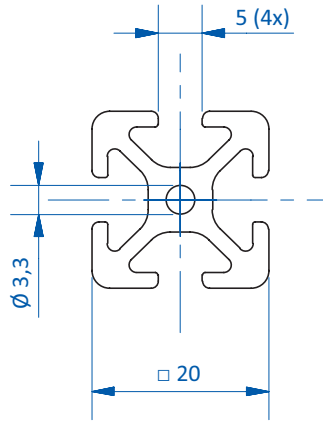
GR01.001.2000



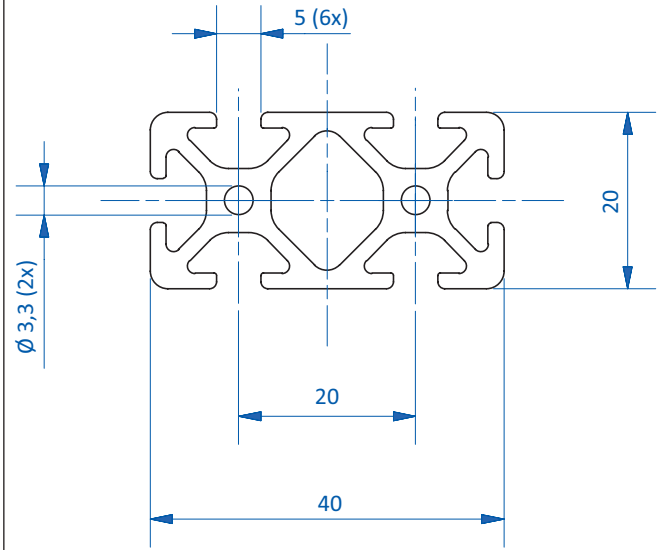
GR01.002.2000



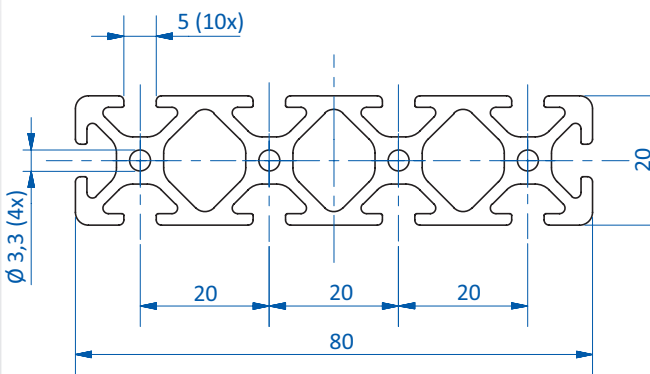
Dimensions



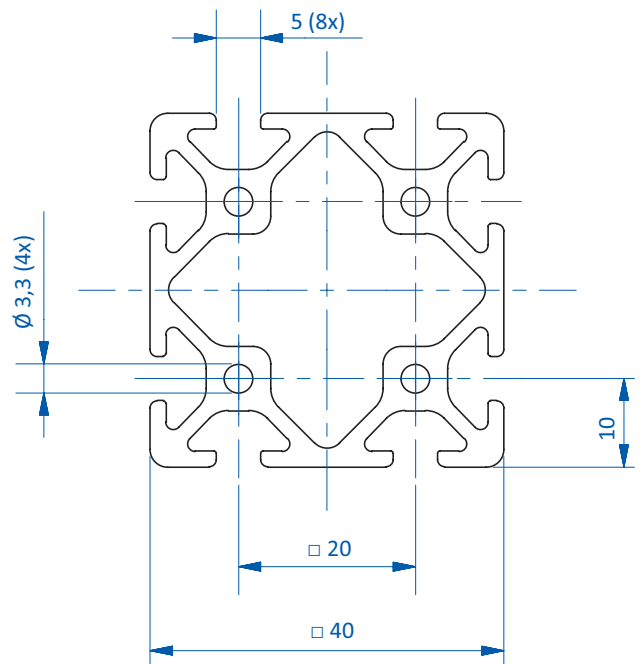
GR01.003.2000



GR01.004.2000



GR01.006.2000



GR01.007.2000



End caps



Product notes

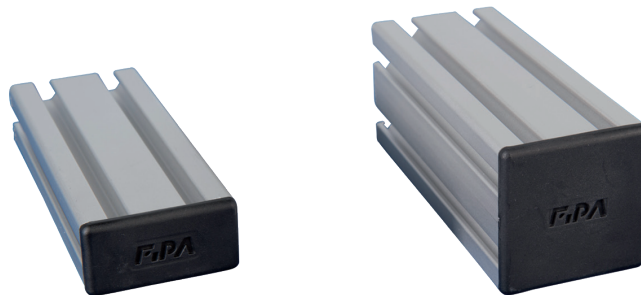
- > For installation at the end of extrusion, reducing the risk of injury
- > Material: PA6 black

Technical data

Dimensions

| Item no. | Suitable for extrusion system | Dimensions | | |
|-------------|-------------------------------|------------|--------|--------|
| | | A [mm] | B [mm] | C [mm] |
| GR01.010 | SLine | 10 | 20 | 3 |
| GR01.011 | SLine | 10 | 40 | 3 |
| GR01.012 | SLine | 20 | 20 | 3 |
| GR01.013 | SLine | 20 | 40 | 3 |
| GR01.015 | SLine | 20 | 80 | 3 |
| GR01.016 | SLine | 40 | 40 | 3 |
| GR01.017 | MLine | 25 | 25 | 3 |
| GR01.018 | MLine | 25 | 50 | 3 |
| GR-XL01.012 | XLine | 40 | 40 | 4 |
| GR-XL01.013 | XLine | 40 | 80 | 4 |

Application examples



Dimensions

