



### Flat connectors 45°



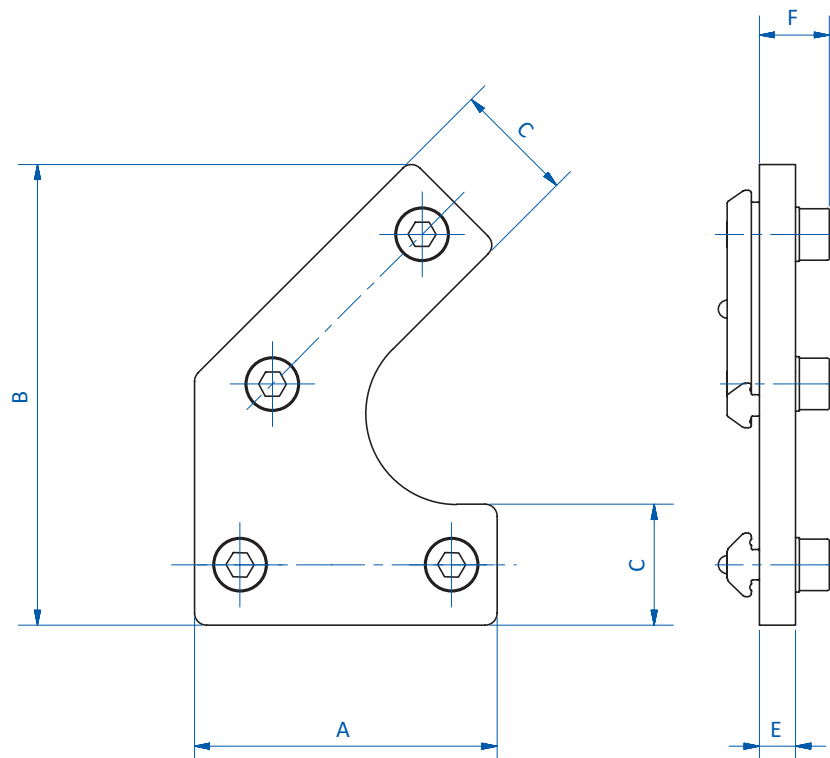
#### Product notes

> For rigid 45° connection of two profiles

#### Technical data

Item no.	Angle [°]	Suitable for extrusion system	Weight [g]
GR01.065	45	SLine	74
GR01.066	45	MLine	79

#### Dimensions



Item no.	A [mm]	B [mm]	C [mm]	E [mm]	F [mm]
GR01.065	50	76	20	3	9
GR01.066	50	76	25	3	9