



Cross clamps



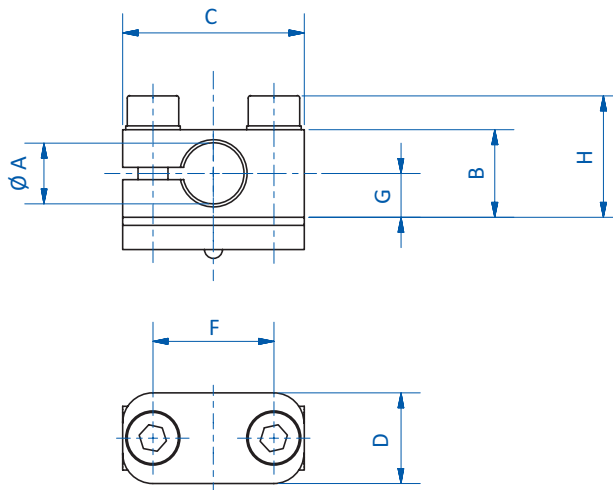
Product notes

- > Elements for 90° clamping of gripper components
- > Clamp allows transition from profile systems to a tubular system

Technical data

Item no.	Suitable for extrusion system	Weight [g]
GR02.020	SLine / MLine	27
GR02.022	SLine / MLine	43
GR02.023	SLine / MLine	35
GR02.024	SLine / MLine	97
GR-XL02.022	XLine	103
GR-XL02.024	XLine	172

Dimensions



Item no.	Ø A [mm]	B [mm]	C [mm]	D [mm]	F [mm]	G [mm]	H [mm]
GR02.020	10	14.5	30	15	20	7.3	20.1
GR02.022	20	24.5	40	15	30	12.3	30.1
GR02.023	14	19.5	35	15	25	9.8	25.1
GR02.024	30	34	60	20	50	17	39.6
GR-XL02.022	20	24.5	45	20	30	12.3	33.3
GR-XL02.024	30	34	68	20	55	17	42.8