



### Corner joint plates 90° to 130°



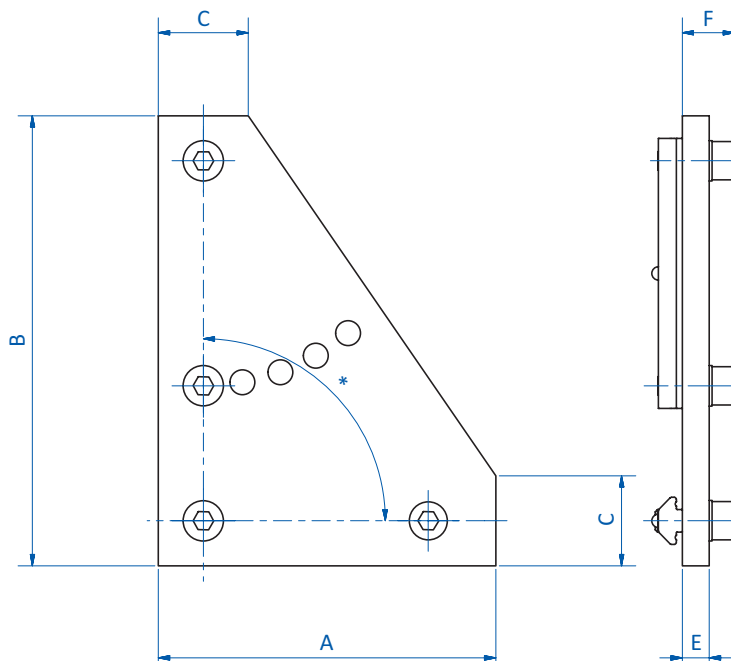
#### Product notes

> Joining plates for connection of two profiles with a defined angle

#### Technical data

Item no.	Suitable for extrusion system	Angle [°]	Weight [g]
<b>GR01.063</b>	SLine	90°, 100°, 110°, 120°, 130°	127
<b>GR01.064</b>	MLine	90°, 100°, 110°, 120°, 130°	131
<b>GR-XL01.063</b>	XLine	90°, 110°, 130°	284

#### Dimensions



\* = Angle

Item no.	A [mm]	B [mm]	C [mm]	E [mm]	F [mm]
<b>GR01.063</b>	75	100	20	3	8.6
<b>GR01.064</b>	75	100	25	3	8.6
<b>GR-XL01.063</b>	80	120	40	3	11.8