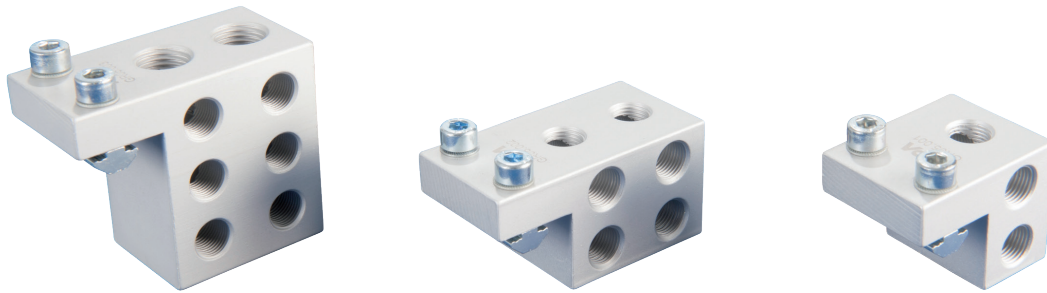




Air and vacuum manifolds



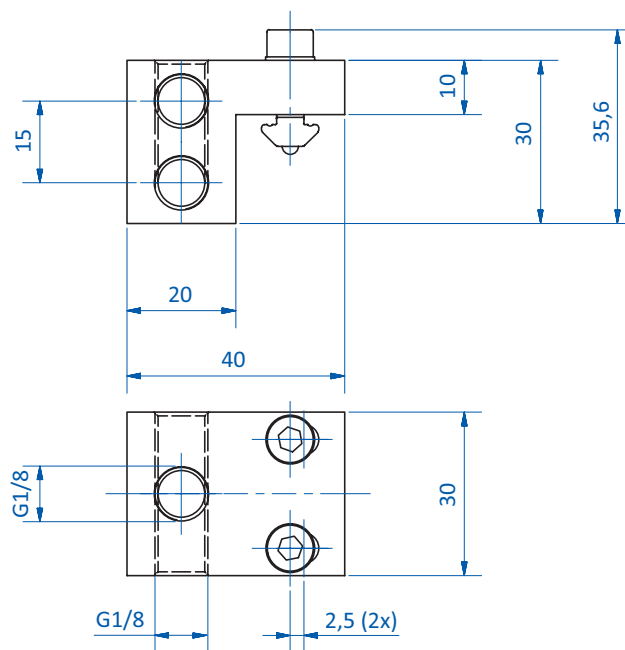
Product notes

> Distribution of air or vacuum in gripper systems

Technical data

Item no.	Suitable for extrusion system	Circuit	Number of inlets / outlets	Weight [g]	Suitable sealing plugs
GR05.001	SLine / MLine	1	1 inlet, 4 outlets	69	77.009
GR05.002	SLine / MLine	2	Each circuits with 1 inlet, 4 outlets	106	77.009
GR05.003	SLine / MLine	2	Each circuits with 1 inlet, 6 outlets	155	77.009 77.008

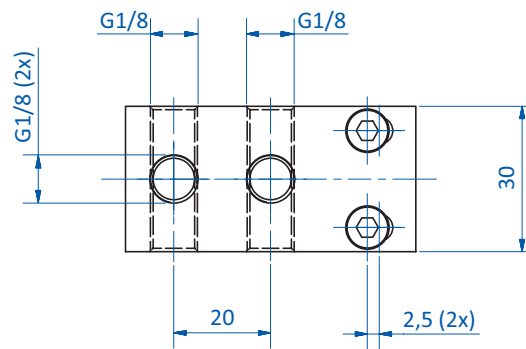
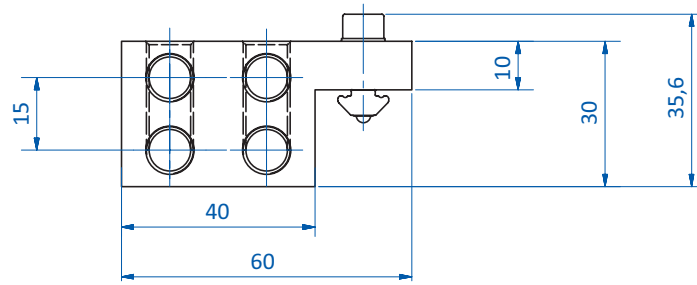
Dimensions



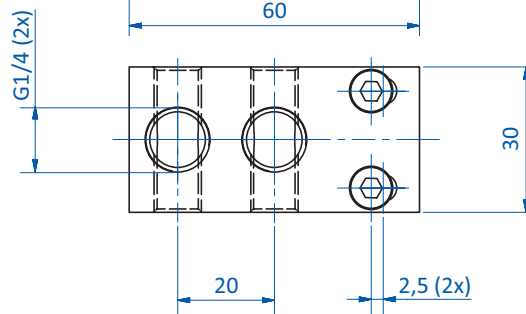
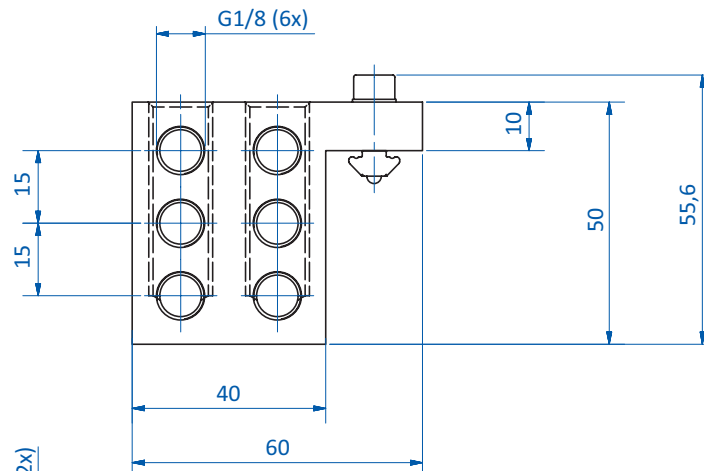
GR05.001



Dimensions



GR05.002



GR05.003