



# Extrusion systems | Connectors

Adjustable profile connectors 0° to 90°

## Adjustable profile connectors 0° to 90°



GR01.062

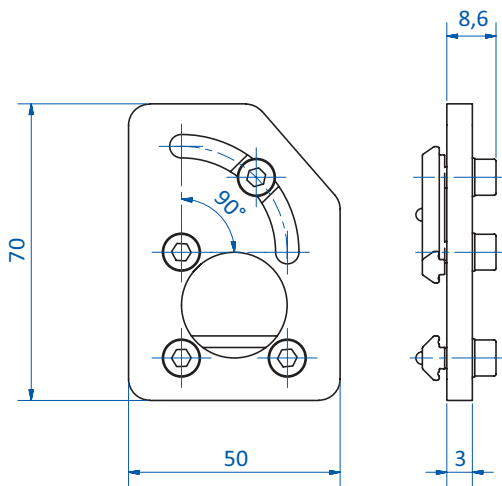
### Product notes

- > Joining plates for connection of two profiles with adjustable angle

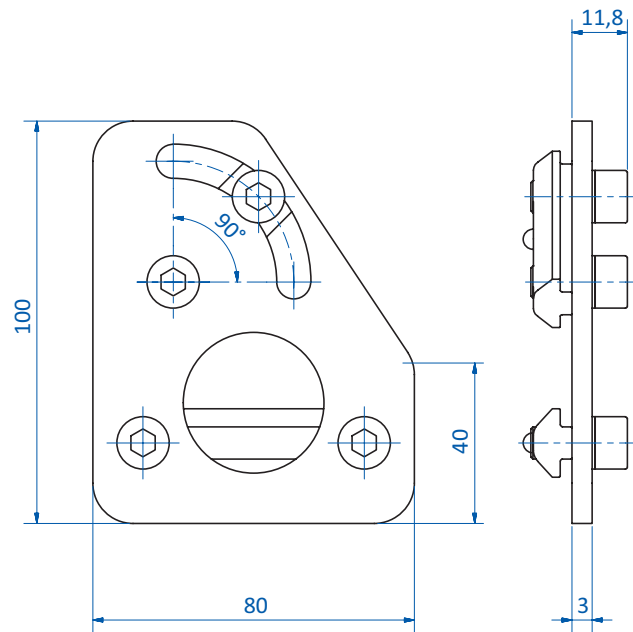
### Technical data

Item no.	Suitable for extrusion system	Weight [g]
<b>GR01.062</b>	SLine / MLine	77
<b>GR-XL01.062</b>	XLine	225

### Dimensions



GR01.062



GR-XL01.062