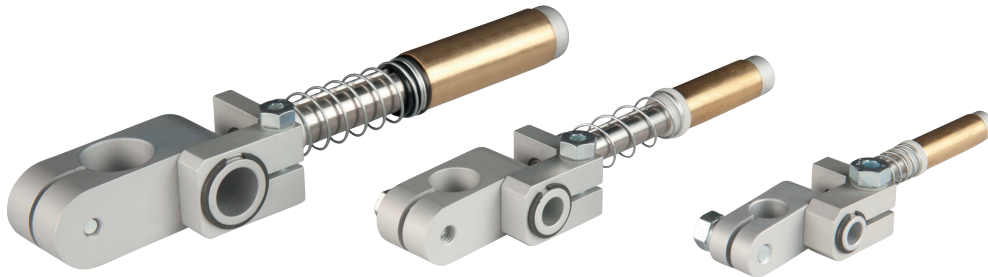




# Gripper arms | Angle arms

Elbow arms – spring compensated and non-rotating

## Elbow arms – spring compensated and non-rotating



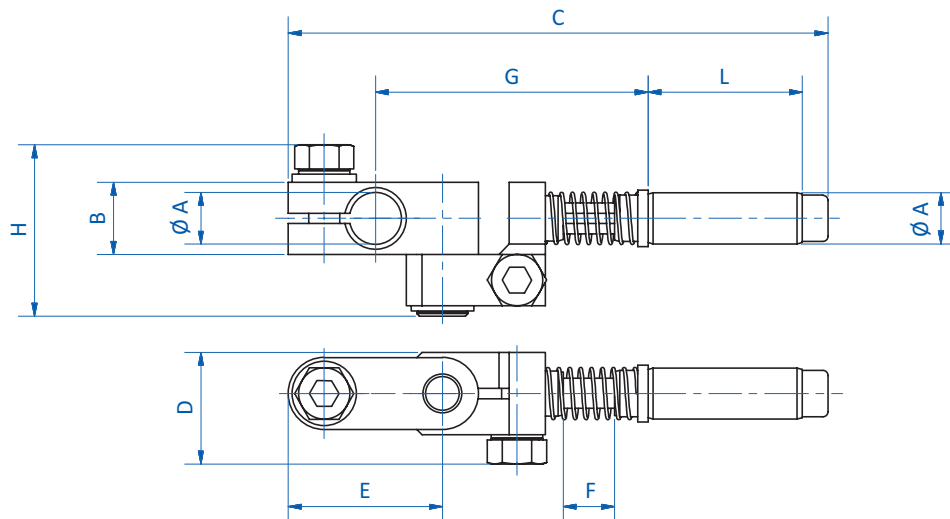
### Product notes

- > Components for mounting grippers, gripper fingers or gripper arms
- > Spring compensates for variation in ejection stroke
- > Angle adjustment +/- 130°
- > Smooth motion due to lubrication-free polymer bearing

### Technical data

Item no.	Stroke [mm]	Weight [g]
GR03.160	10	60
GR03.161	20	65
GR03.162	15	125
GR03.163	35	134
GR03.164	20	288
GR03.165	40	310

### Dimensions



Item no.	Ø A [mm]	B [mm]	C [mm]	D [mm]	E [mm]	F [mm]	G [mm]	H [mm]	L [mm]
GR03.160	10	14	105	21.7	30	10	53	33.3	30
GR03.161	10	14	115	21.7	30	20	63	33.3	30
GR03.162	14	20	133	24.7	37.5	15	69.5	37.7	35
GR03.163	14	20	153	24.7	37.5	35	89.5	37.7	35
GR03.164	20	25	179.5	30.7	52	20	87.5	42.7	55
GR03.165	20	25	199.5	30.7	52	40	107.5	42.7	55